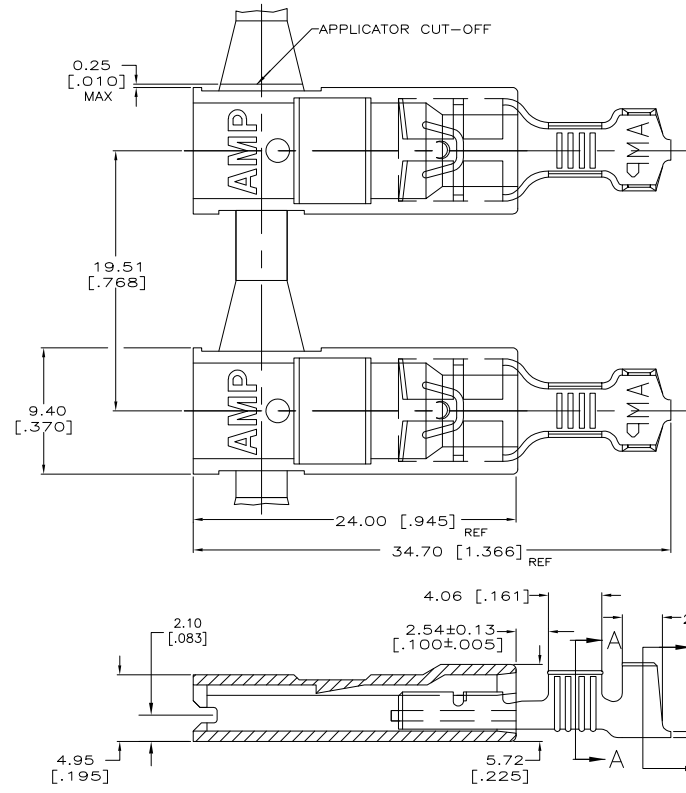


THIS DRAWING IS UNPUBLISHED.
 RELEASED FOR PUBLICATION
 BY TYCO ELECTRONICS CORPORATION. ALL RIGHTS RESERVED.

LOC	QTY	REVISIONS				
AF	50	TR	DESCRIPTION	DATE	DWR	APPD
		A1	REVISED PER ECR-06-000467	23MAY06	HMR	GP



1 LOW-INSERTION FASTON TERMINALS, BASE P/N 63306, ARE USED IN THIS PRODUCT.
 △ TIN PLATE PER .002032 [.000080] MIN

STANDARD	△ TIN PLATE	2.79-4.32	0.8-2.0 mm ² [18-14]	0.813 [.032]	521367-2
STANDARD	PLAIN	[.110-.170] DIA			521367-1
PACKAGING	TERMINAL FINISH	INSULATION RANGE	WIRE SIZE	MATING TAB THK ±0.025 [±.001]	PART NO
THIS DRAWING IS A CONTROLLED DOCUMENT.					
DIMENSIONS: mm [INCHES]		TOLERANCES UNLESS OTHERWISE SPECIFIED:		APPROVED:	
		1 PUC ± .010		DWR RUTH 15JAN01	
		2 PUC ± .005		MS FEHER 15JAN01	
		3 PUC ± 0.25 [.010]		J. HUMMEL 15JAN01	
		4 PUC ± .010		PROBUD SPEC	
		5 PUC ± .010		APPLICATION SPEC	
		6 PUC ± .010		108-1285	
		7 PUC ± .010		114-2124	
		8 PUC ± .010		WEIGHT	
MATERIAL		FINISH		SIZE	
HOUSING - 6/8 VO NYLON		HOUSING - NATURAL		A2	
TERMINAL - BRASS		TERMINAL - SEE TABLE		00779 © 521367	
		CUSTOMER DRAWING		SCALE 5:1	
				SHEET 1 of 1	
				REV A1	