

4

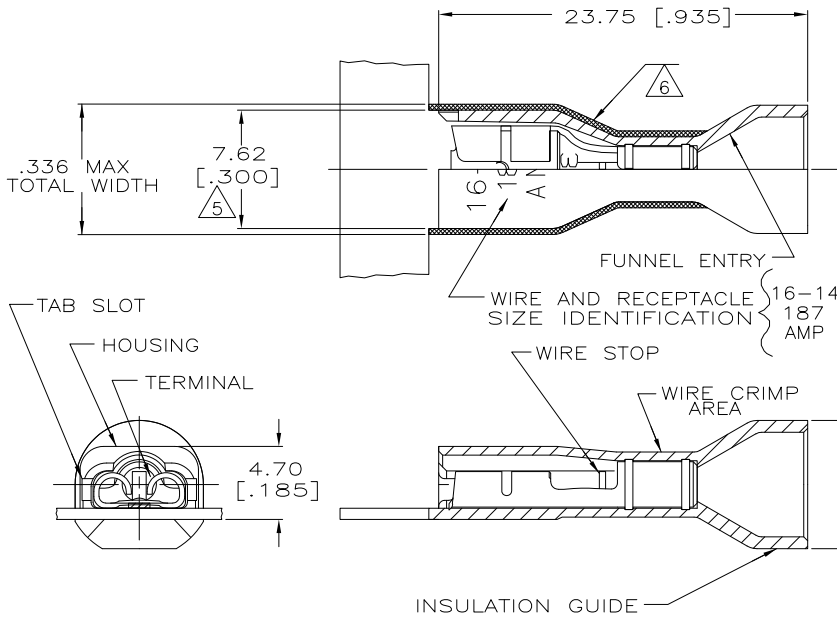
3

2

1

THIS DRAWING IS UNPUBLISHED. RELEASED FOR PUBLICATION
 © COPYRIGHT - BY TYCO ELECTRONICS CORPORATION. ALL INTERNATIONAL RIGHTS RESERVED.

LOC	DIST	REVISIONS				
P	LTR	DESCRIPTION	DATE	DWN	APVD	
AF	50	H1	REVISED PER ECR-09-026241	21DEC09	HMR	GP



- 1 MATES WITH .032±.001x.187 TAB
- 2 WIRE STRIP LENGTH .281
- 3 INSULATION SIZE .260 MAX DIA
- 4 CONTINUOUS STRIP ON REELS
- △5 DIMENSION DOES NOT INCLUDE TRIM BURR
- △6 .015 MAX CARRIER TRIM BURR PER SIDE IS ALLOWABLE IN THE SHADED AREA

HOUSING: NYLON, COLOR-BLACK TRANSLUCENT RECEPTACLE: #3 HARD BRASS TIN PL .000080 MIN THK	9-520276-2
HOUSING: NYLON, COLOR-BLUE TRANSLUCENT RECEPTACLE: #3 HARD BRASS TIN PL .000080 MIN THK	3-520276-2
MATERIAL & FINISH	PART NO

THIS DRAWING IS A CONTROLLED DOCUMENT.		DWN	10/12/92		Tyco Electronics Corporation Harrisburg, PA 17105-3608
DIMENSIONS: INCHES		CHK	10/12/92		
TOLERANCES UNLESS OTHERWISE SPECIFIED:		APVD	10/12/92		NAME V. KARACIEVSKY
0 PLC ± -		PRODUCT SPEC		108-2043	
1 PLC ± -		APPLICATION SPEC			114-2123
2 PLC ± 0.38 [.015]		WEIGHT		-	
3 PLC ± -		SIZE			A3
4 PLC ± -		CAGE CODE		00779	
ANGLES ± -		DRAWING NO			C-520276
MATERIAL	FINISH	RESTRICTED TO		-	
SEE TABLE	SEE TABLE	CUSTOMER DRAWING		SCALE	4:1
				SHEET	1 OF 1
				REV	H1