

4

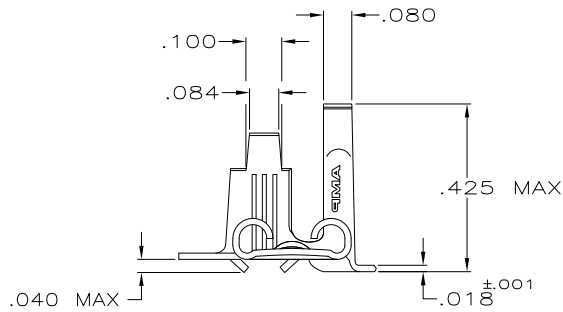
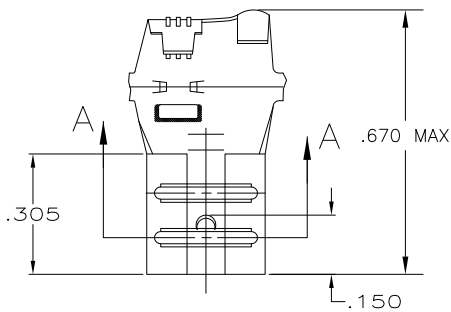
3

2

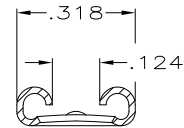
1

THIS DRAWING IS UNPUBLISHED. RELEASED FOR PUBLICATION  
 © COPYRIGHT - BY TYCO ELECTRONICS CORPORATION. ALL INTERNATIONAL RIGHTS RESERVED.

LOC	DIST	REVISIONS				
P	LTR	DESCRIPTION	DATE	DWN	APVD	
AF	50	L3	REVISED PER ECR-08-029227	20NOV08	HMR	PD
		L4	REVISED PER ECO-09-020774	21AUG09	KK	AEG



- 1 CONTINUOUS STRIP ON REELS
- 2 WIRE SIZE IS 18-12 AWG
- 3 INSULATION RANGE IS .110-.210 DIA
- 4 MATING TAB THK IS .032±.001
- 5 OBSOLETE PARTS: OBSOLETE CIS STREAMLINING PER D.RENAUD/D.SINISI



SECTION A-A

OBSOLETE	TIN .000080 MIN	T4 BRASS	60274-4
OBSOLETE	SILVER	T3 PHOS BRZ	60274-3
OBSOLETE	TIN .000080 MIN	T3 PHOS BRZ	60274-2
OBSOLETE	-	T3 PHOS BRZ	60274-1
	FINISH	MATERIAL	PART NO

THIS DRAWING IS A CONTROLLED DOCUMENT.		DWN	JR RUTH	6/7/91	Tyco Electronics Corporation Harrisburg, PA 17105-3608			
DIMENSIONS: INCHES		CHK	MS FEHER	6/7/91	NAME			
TOLERANCES UNLESS OTHERWISE SPECIFIED:		APVD	R REINER	6/7/91	RECEPTACLE, FASTON, FLAG, LEFT HAND, .250 SERIES			
0 PLC ± -		PRODUCT SPEC		SIZE		CAGE CODE	DRAWING NO	RESTRICTED TO
1 PLC ± -		APPLICATION SPEC		A3		00779	C-60274	-
2 PLC ± -		WEIGHT		CUSTOMER DRAWING		SCALE	4:1	SHEET
3 PLC ± .015		MATERIAL		SEE TABLE		1	OF 1	REV
4 PLC ± -		FINISH		SEE TABLE		L4		
ANGLES ± -		MATERIAL		SEE TABLE				