

4

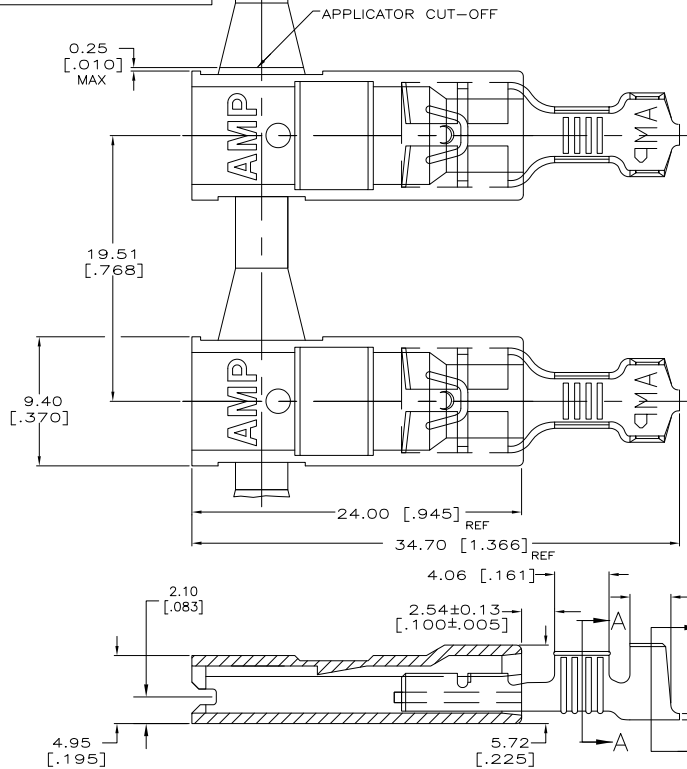
3

2

1

THIS DRAWING IS UNPUBLISHED. RELEASED FOR PUBLICATION. ALL RIGHTS RESERVED.

LOC	DIST	REVISIONS		
P	LTR	DESCRIPTION	DATE	BY
AF	50			
R2		REVISED PER ECO-11-004820	11MAR11	RK HMR



- 1 LOW-INSERTION FASTON TERMINALS, BASE P/N 63306, ARE USED IN THIS PRODUCT.
- 2 TIN PLATE PER .002032 [.000080] MIN PER MIL-T-10727.
- 3 MATERIAL: HOUSING 6/6 NYLON  
TERMINAL 4M HARD BRASS
- 4 FINISH: HOUSING - COLOR, NATURAL  
TERMINAL - SEE TABLE

OBSOLETE	BULK	TIN PLATE	2.79-4.32	0.8-2.0 mm <sup>2</sup> [18-14]	0.813 [.032]	5-520963-2		
	BULK	PLAIN	[.110-.170] DIA			5-520963-1		
	STANDARD	TIN PLATE				520963-2		
	STANDARD	PLAIN				520963-1		
	PACKAGING	TERMINAL FINISH	INSULATION RANGE	WIRE SIZE	MATING TAB THK ±0.025 [±.001]	PART NO.		
THIS DRAWING IS A CONTROLLED DOCUMENT.			DIMENSIONS: INCHES 0 PLG ± - 1 PLG ± - 2 PLG ± - 3 PLG ± 0.25 [0.10] 4 PLG ± - ANGLES ± - FINISH		J.R. RUTH 6/27/99 C.K. MS FISHER 6/27/99 R. KUZO 6/27/99 NAME: 108-1285 APPLICATION SPEC: 114-2124 HEIGHT: - CUSTOMER DRAWING		TE Connectivity ASSEMBLY, ULTRA-POD, RECEPTACLE, 6.35 [250] SERIES SIZE: A2 CASE CODE: C-520963 DRAWING NO: 520963 RESTRICTED TO: - SCALE: 5:1 SHEET: 1 of 1 REV: R2	