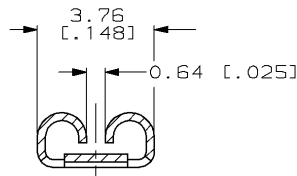
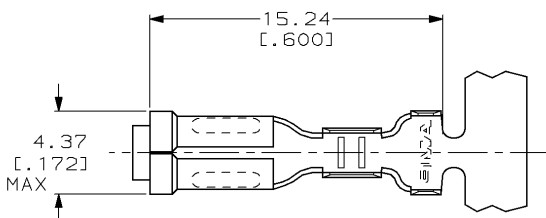


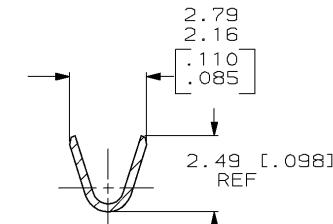
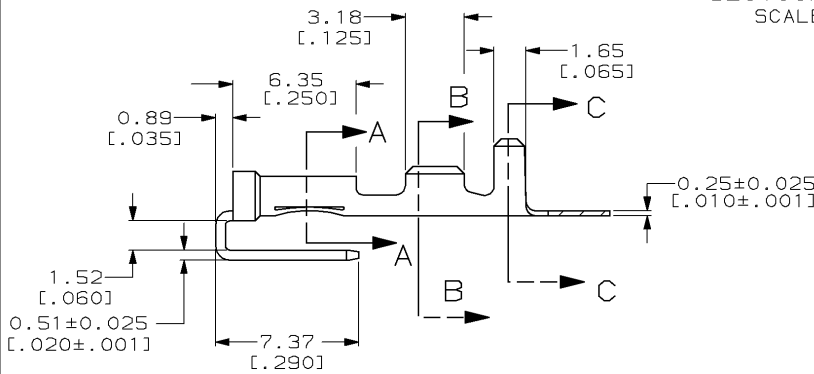
THIS DRAWING IS UNPUBLISHED. RELEASED FOR PUBLICATION
 © COPYRIGHT 19 BY AMP INCORPORATED. ALL RIGHTS RESERVED.

Loc	DIST	REVISIONS			
P	LTR	DESCRIPTION	DATE	DWN	APVD
AF	50	A	RELEASED PER 0G1A-0189-98	7/20/98	JR JR

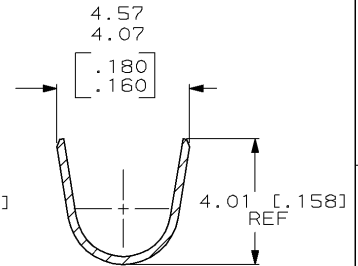
- CONTINUOUS STRIP ON REELS.
- MATING TAB THK IS 0.508 ± 0.025 OR 0.457 ± 0.025 [0.020 ± 0.001 OR 0.018 ± 0.001].
- WIRE SIZE IS [#22-#18] AWG.
- INSULATION RANGE IS 2.03-3.05 [0.080 - 0.120] DIA.



SECTION A-A
SCALE 8:1



SECTION B-B
SCALE 8:1



SECTION C-C
SCALE 8:1

1217083-1
PART NO.

THIS DRAWING IS A CONTROLLED DOCUMENT.		DWN	JR RUTH	4/22/98	AMP AMP Incorporated Harrisburg, PA 17105-3608
		CHK	MS FEHER	4/22/98	
DIMENSIONS: MM (INCHES)		APVD	J GILLESPIE	4/22/98	NAME RECEPTACLE, FASTON, PIGGYBACK, 2.79 [.110] SERIES
TOLERANCES UNLESS OTHERWISE SPECIFIED:		PRODUCT SPEC		APPLICATION SPEC	
0 PLC ±-		WEIGHT		SIZE	CAGE CODE
1 PLC ±-		-		A3	
2 PLC ±0.25 (.010)		CUSTOMER DRAWING		DRAWING NO	RESTRICTED TO
3 PLC ±-		SCALE 5:1		1217083	
4 PLC ±-		SHEET 1 OF 1		REV A	
ANGLES ±-		REV			
MATERIAL H04 PREMILLED BRASS		FINISH			

AMP 1470-19 REV 11JUN97

20-JUL-98 14:02:09 amp13469 /home/amp13469/edmod