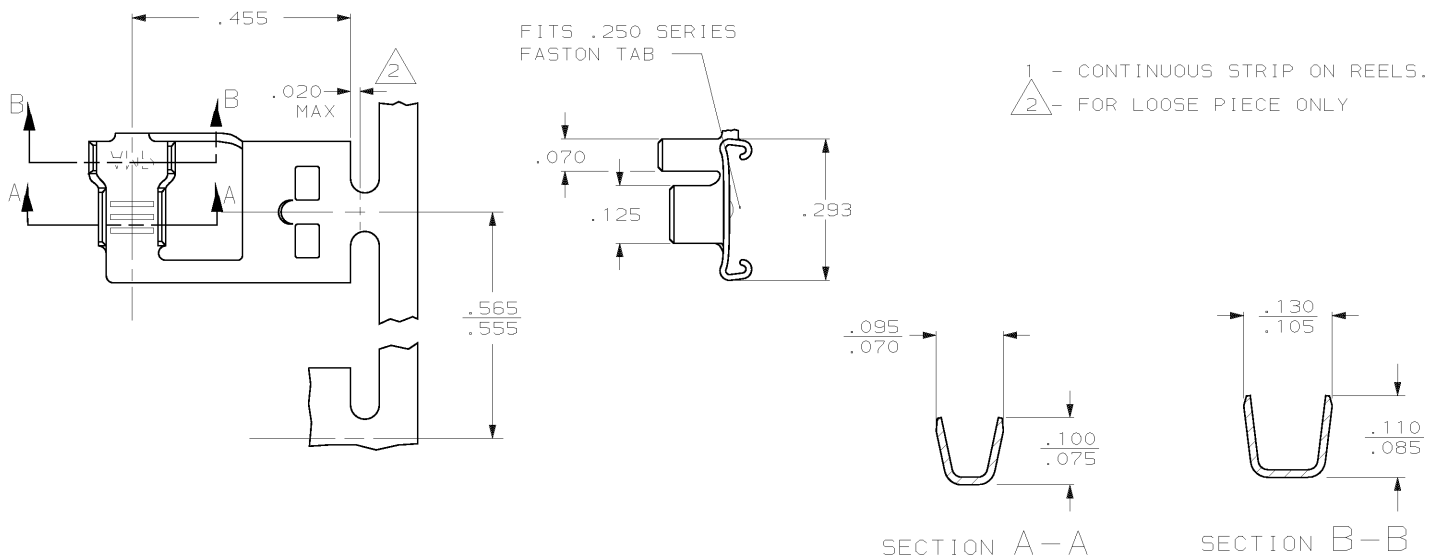


DRAWING MADE IN THIRD ANGLE PROJECTION

THIS DRAWING IS UNPUBLISHED. RELEASED FOR PUBLICATION  
 © COPYRIGHT 19 BY AMP INCORPORATED, HARRISBURG, PA. ALL INTERNATIONAL RIGHTS RESERVED. AMP PRODUCTS MAY BE COVERED BY U.S. AND FOREIGN PATENTS AND/OR PATENTS PENDING.

LOC	DIST	P	F	ZONE	LTR	DESCRIPTION	DATE	APPROVED
AF	50					G 0BS -1 PER OL10-0265-97	6/18/97	JR/PD



INSUL RANGE	WIRE SIZE	TAB THK ±.001	FINISH	MATERIAL	PART NO	
<del>60811-2</del>	.048-.078	24-20	.032	TIN	.016 4M BRASS	60736-2
<del>60811-1</del>	.048-.078	24-20	.032		.016 4M BRASS	<del>60736-1</del>

TYPE	WIDTH	STRIP LENGTH ±.015	TYPE	WIDTH	±.002 HEIGHT	WIRE	UNLESS OTHERWISE SPECIFIED DIMENSIONS ARE IN INCHES TOLERANCES ON:	DR	CHK	APPD	PRODUCT SPEC	NAME	SIZE	FSCM NO	DRAWING NO
F	.090	.188	F	.062	.054	20	2 PL DEC ±	10/4/85	JR BUTH	10/4/85		AMP	B	00779	60736
					.051	22	3 PL DEC ± .015	10/4/85	MS FEHER	10/4/85		AMP INCORPORATED			
					.048	24	ANGLES ±	10/4/85	C MEYERS	10/4/85		Harrisburg, Pa. 17105			
INSUL BARREL CRIMP			WIRE BARREL CRIMP					R KUZO		114-2079			NTS		1 OF 1

AMP 1470-15 REV 10-84

18-JUN-97 14:13:21 amp13469 /usr/dep12121/dsg12121/u/Faston-ceb/u.250-FL

CUSTOMER DRAWING