

4

3

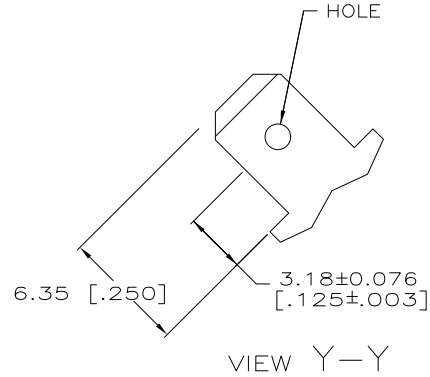
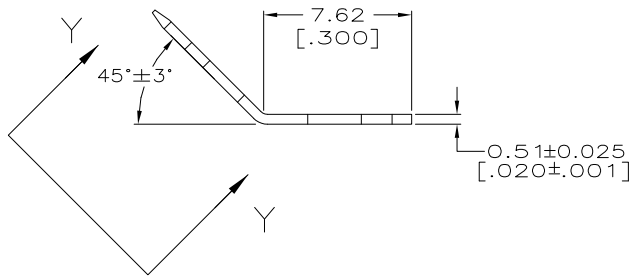
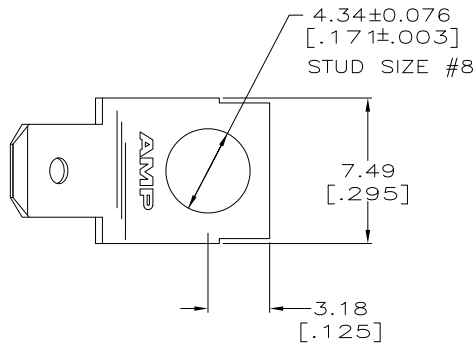
2

1

THIS DRAWING IS UNPUBLISHED. RELEASED FOR PUBLICATION
 © COPYRIGHT - BY TYCO ELECTRONICS CORPORATION. ALL INTERNATIONAL RIGHTS RESERVED.

| LOC | | DIST | | REVISIONS | | | |
|-----|-----|---------------------------|--|-----------|-----|------|--|
| P | LTR | DESCRIPTION | | DATE | DWN | APVD | |
| | D | REVISED PER ECR-10-004058 | | 08JUN10 | HMR | PD | |

1 SUPPLIED IN LOOSE PIECE.



61664-1
PART NO.

| | | | | | |
|--|---------------|------------------|----------|---------------------------------|---|
| THIS DRAWING IS A CONTROLLED DOCUMENT. | | DWN | JR RUTH | 1/10/97 | Tyco Electronics Corporation Harrisburg, PA 17105-3608 |
| DIMENSIONS: mm [INCHES] | | CHK | MS FEHER | 1/10/97 | |
| TOLERANCES UNLESS OTHERWISE SPECIFIED: | | APVD | J HUZVAR | 1/10/97 | NAME |
| 0 PLC | ± - | PRODUCT SPEC | | TAB, FASTON, 4.75 [.187] SERIES | |
| 1 PLC | ± - | APPLICATION SPEC | | SIZE | CAGE CODE |
| 2 PLC | ± 0.38 [.015] | WEIGHT | | A3 | 00779 |
| 3 PLC | ± - | CUSTOMER DRAWING | | DRAWING NO | C-61664 |
| 4 PLC | ± - | SCALE | | 5:1 | SHEET |
| ANGLES | ± - | RESTRICTED TO | | 1 | 1 |
| MATERIAL | 082 BRASS | FINISH | | TIN | REV |
| | | | | D | |