

4

3

2

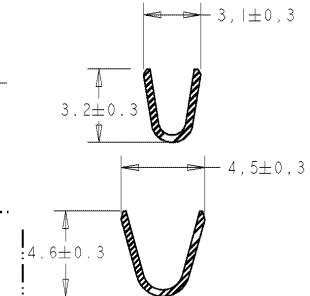
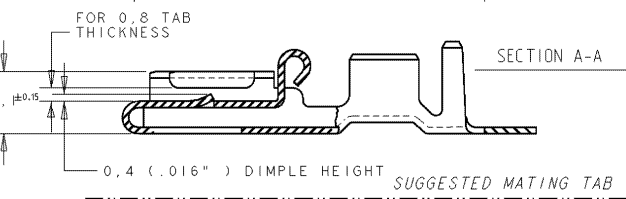
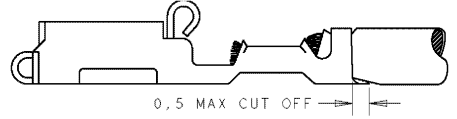
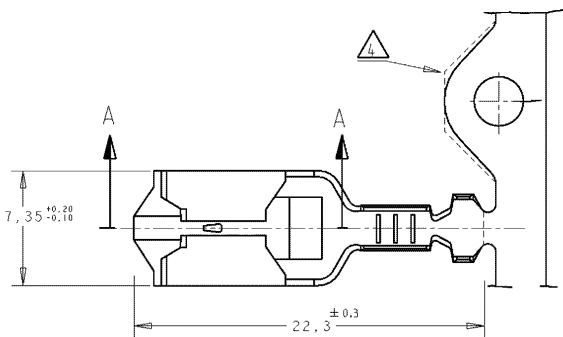
1

THIS DRAWING IS UNPUBLISHED. RELEASED FOR PUBLICATION  
COPYRIGHT 20 BY TYCO ELECTRONICS CORPORATION ALL RIGHTS RESERVED.

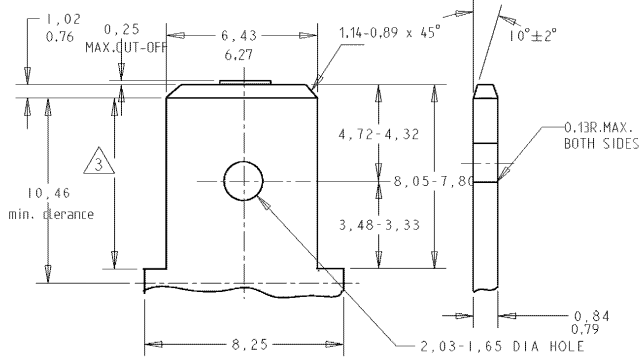
| LOC | DIST | REVISIONS                    |           |      |      |  |
|-----|------|------------------------------|-----------|------|------|--|
| P   | LTR  | DESCRIPTION                  | DATE      | BY   | APVD |  |
| AC  |      | REVISED BY ES00-0040-02      | 02APR02   | J.L  | J.L  |  |
| AD  |      | REVISED BY ES00-05-0095      | 14/DEC/05 | J.L  | JL   |  |
| AD1 |      | REVISED PER ECO-10-000444    | 09JAN10   | KK   | AEQ  |  |
| AD2 |      | ECR-10-009742                | 29JUN10   | RK   | SRE  |  |
| AD3 |      | ADDED NEW DASH 3-160759-4    | 22MAR11   | J.S. | L.B. |  |
| AD4 |      | UPDATED TE CONNECTIVITY LOGO | 04APR2011 | J.S. | L.B. |  |

NOTES:

- 1 FOR USE ON STANDARD APPLICATOR (RIGHT-LEFT FEED)
- 2 FOR USE ON MINIATURE APPLICATOR (LEFT-RIGHT FEED)
- 3 FOR USE ON MINIATURE APPLICATOR (LEFT-RIGHT FEED) AMPOMATOR APPLICATION.
- 4 CONFIGURATION OF CARRIER-STRIP OPTIONAL
- 5 OBSOLETE PARTS: OBSOLETE CIS STREAMLINING PER D.RENAUD/D.SINISI



- 1- MATL. 1/2H BRASS OR NICKEL PL. STEEL.
- 2- NO BURRS PERMISSIBLE AT HOLE
- 3- MUST BE FLAT WITHIN 0.076 OVER THIS LENG.
- 4- TIN PLATING IS REQUIRED ON BRASS WHEN TERMINAL TEM. IS OVER 225°F
- 5- HOLE MUST BE SYMMETRICAL ABOUT TAB  $\phi$  WITHIN 0.076



| OB SOLETE | UNPLATED & DEGREASED | NICKEL SILVER | PH. BRONZE | BRASS | PARTNUMBER |
|-----------|----------------------|---------------|------------|-------|------------|
|           | UNPLATED             | NICKEL SILVER |            |       | 3-160759-4 |
|           | UNPLATED             | NICKEL SILVER |            |       | 3-160759-3 |
|           | TIN PLATED           | PH. BRONZE    |            |       | 3-160759-0 |
|           | UNPLATED             | NICKEL SILVER |            |       | 2-160759-9 |
|           | HOT DIP PRETIN.      | PH. BRONZE    |            |       | 2-160759-8 |
|           | TIN-LEAD             | PH. BRONZE    |            |       | 2-160759-7 |
|           | SILVERPLATED         | PH. BRONZE    |            |       | 2-160759-6 |
|           | UNPLATED             | BRASS         |            |       | 2-160759-5 |
|           | HOT DIP PRETIN.      | BRASS         |            |       | 2-160759-4 |
|           | TIN PLATED           | BRASS         |            |       | 2-160759-3 |
|           | NICKEL PLATED        | PH. BRONZE    |            |       | 2-160759-2 |
|           | NICKEL PLATED        | PH. BRONZE    |            |       | 2-160759-1 |
|           | SILVERPLATED         | PH. BRONZE    |            |       | 1-160759-9 |
|           | HOT DIP PRETIN.      | PH. BRONZE    |            |       | 1-160759-4 |
|           | HOT DIP PRETIN.      | PH. BRONZE    |            |       | 1-160759-3 |
|           | HOT DIP PRETIN.      | PH. BRONZE    |            |       | 1-160759-2 |
|           | HOT DIP PRETIN.      | BRASS         |            |       | 1-160759-1 |
|           | PRETINNED            | PH. BRONZE    |            |       | 1-160759-0 |
|           | TIN PLATED           | PH. BRONZE    |            |       | 0-160759-9 |
|           | TIN PLATED           | BRASS         |            |       | 0-160759-8 |
|           | UNPLATED             | PH. BRONZE    |            |       | 0-160759-7 |
|           | UNPLATED             | BRASS         |            |       | 0-160759-6 |
|           | PRETINNED            | PH. BRONZE    |            |       | 0-160759-5 |
|           | TIN PLATED           | PH. BRONZE    |            |       | 0-160759-4 |
|           | TIN PLATED           | BRASS         |            |       | 0-160759-3 |
|           | UNPLATED             | PH. BRONZE    |            |       | 0-160759-2 |
|           | UNPLATED             | BRASS         |            |       | 0-160759-1 |
|           | FINISH               | MATERIAL      |            |       | PARTNUMBER |

|                    |  |  |  |                        |  |                           |  |
|--------------------|--|--|--|------------------------|--|---------------------------|--|
| DIMENSIONS: mm     |  | TOLERANCES UNLESS OTHERWISE SPECIFIED: |  | OWN J. J. 16-11-95     |  | TE Connectivity           |  |
| 0 PLC ±            |  | 1 PLC ±                                |  | CHK A. BLJNEN 17-11-95 |  | NAME                      |  |
| 2 PLC ±0,3 GENERAL |  | 3 PLC ±                                |  | APVD -                 |  | PRODUCT SPEC 108-3017     |  |
| 4 PLC ±            |  | ANGLES ±                               |  | APPLICATION SPEC       |  | SIZE CAGE CODE DRAWING NO |  |
| MATERIAL SEE TABLE |  | FINISH SEE TABLE                       |  | WEIGHT -               |  | RESTRICTED TO             |  |
|                    |  |  |  | A3 100779              |  | G-160759                  |  |
| CUSTOMER DRAWING   |  |  |  | SCALE -                |  | SHEET OF REV AD4          |  |

POSITIVE LOCK REC. .250 (6,35) SERIES