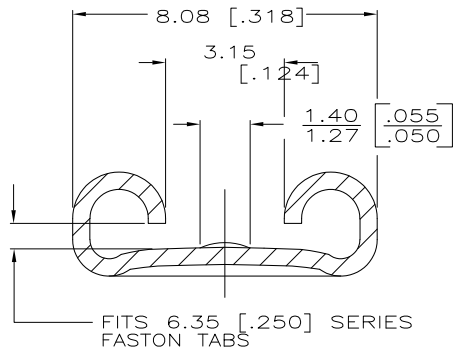
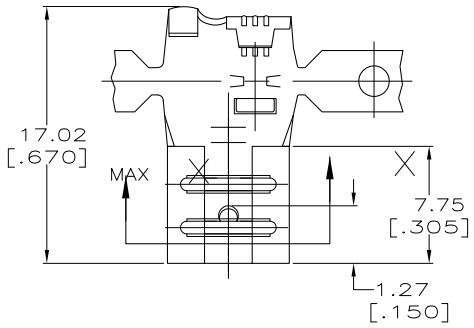


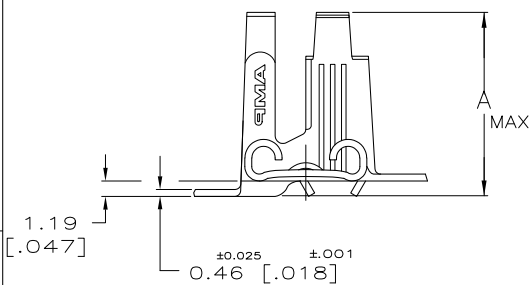
THIS DRAWING IS UNPUBLISHED. RELEASED FOR PUBLICATION  
 © COPYRIGHT - By - ALL RIGHTS RESERVED.

LOC	DIST	REVISIONS					
AF	50	P	LTR	DESCRIPTION	DATE	DWN	APVD
		AC1		REVISED PER ECO-11-004820	11MAR11	RK	HMR



- 1 CONTINUOUS STRIP ON REELS.
- 2 FOREIGN PRODUCTION ONLY
- 3 SILVER PL 0.00381 [.000150] MIN
- 4 TIN PL 0.002032 [.000080] MIN
- 5 NICKEL PL 0.00381 [.000150] MIN

FITS 6.35 [.250] SERIES FASTON TABS  
 SECTION X-X  
 SCALE 10:1



12.19 [.480]		3.0-5.0mm <sup>2</sup> [12-10] AWG 6000-10600 CMA		NICKEL	T2 STEEL	42563-9
				TIN	T3 PHOS BRZ	42563-8
				SILVER	T3 PHOS BRZ	42563-6
				SILVER	T3 PHOS BRZ	42563-7
				TIN	T3 PHOS BRZ	42563-5
				-	T3 PHOS BRZ	42563-4
				SILVER	#4H BRASS	42563-3
				TIN	#4H BRASS	42563-2
				-	#4H BRASS	42563-1
DIM A	INSULATION RANGE	WIRE RANGE	MATING TAB THK ±0.025 [.001]	FINISH	MATERIAL	PART NO

THIS DRAWING IS A CONTROLLED DOCUMENT.		DWN	JR RUTH	2/14/91	TE Connectivity 0.813 [.032] RECEPTACLE, FASTON, FLAG, 6.35 [.250] SERIES
DIMENSIONS: mm(INCHES)		CHK	P FORTNEY	2/14/91	
TOLERANCES UNLESS OTHERWISE SPECIFIED:		APVD	C MEYERS	2/14/91	
0 PLC ±- 1 PLC ±- 2 PLC ±- 3 PLC ±0.38 [.015] 4 PLC ±- ANGLES ±-		NAME	D REINER		
MATERIAL	SEE TABLE	FINISH	SEE TABLE	WEIGHT	-
CUSTOMER DRAWING				SIZE	A3
				CAGE CODE	00779
				DRAWING NO	C=42563
				RESTRICTED TO	-
				SCALE	4:1
				SHEET	1 of 1
				REV	AC1