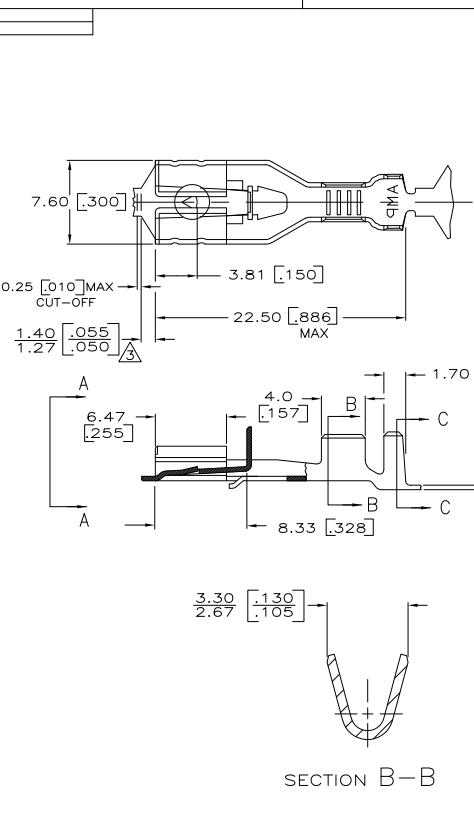
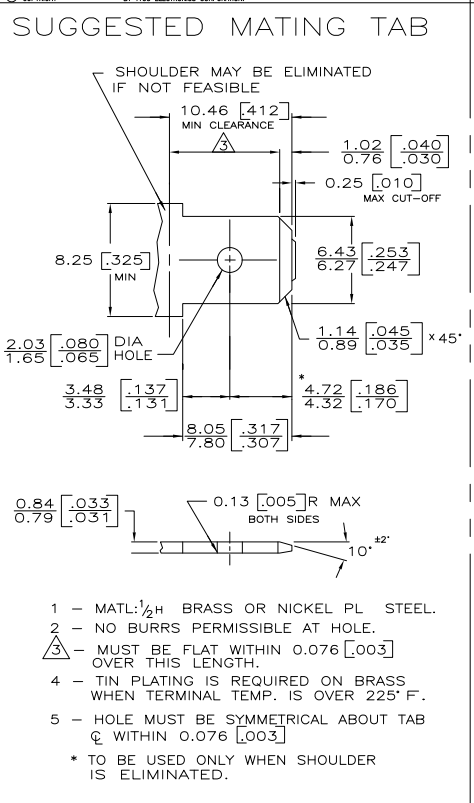
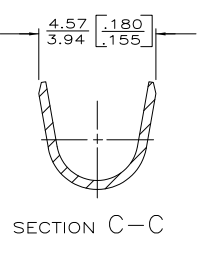
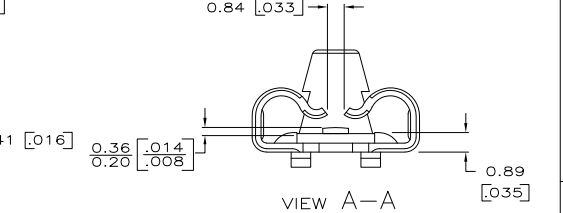


THIS DRAWING IS UNPUBLISHED. RELEASED FOR PUBLICATION BY TYCO ELECTRONICS CORPORATION. ALL RIGHTS RESERVED.



LOC	DIST	REVISIONS			
P	LTR	DESCRIPTION	DATE	BY	APP'D
P2		REV PER ECR-06-014352	20JUN06	HMR	EH
P3		REV PER ECO-09-021826	06JAN10	KK	AEG

- 1 DIMENSIONS IN BRACKETS ARE IN INCHES.
- 2 CONTINUOUS STRIP ON REELS.
- 3 THE 1.40 [0.55] DIMENSION MUST BE MAINTAINED BY THE APPLICATOR CUT-OFF TO ENSURE THE PROPER LOCKING FUNCTION OF THE RECEPTACLE.
- 4 WIRE SIZE IS 0.3-0.8mm [22-18] AWG
- 5 INSULATION REANGE IS 1.52-2.54 [0.60-1.00] DIA
- 6 GOLD PLATE 0.00127 [0.00050] MIN THK OVER 0.00127 [0.00050] MIN NICKEL PLATE
- 7 PREPRODUCTION - FASR REQ
- 8 OBSOLETE PARTS: OBSOLETE CIS STREAMLINING PER D.RENAUD/D.SINISI



6	PRE-TIN PLATED	63119-4
7	UNPLATED	63119-2
8	TIN PLATE	63119-1
	FINISH	PART NO.

THIS DRAWING IS A CONTROLLED DOCUMENT.		DR. JR. RUTH	7/28/06	Tyco Electronics Corporation	
DIMENSIONS: INCHES		CHK. G. YETTER	1/15/97	Harrisburg, PA 17105-3608	
TOLERANCES UNLESS OTHERWISE SPECIFIED:		APP. R. KLUZO	1/15/97	RECEPT, POSITIVE LOCK, .250 SERIES	
0 PLC	±	APPLICATION SPEC: 114-2074			
1 PLC	±	SIZE: A2			
2 PLC	±	CAGE CODE: 00779			
3 PLC	±	DRAWING NO: C=63119			
4 PLC	±	RESTRICTED TO: -			
5 PLC	±	WEIGHT: -			
6 PLC	±	CUSTOMER DRAWING			
7 PLC	±	SCALE: 4:1			
8 PLC	±	SHEET: 1 of 1			
9 PLC	±	REV: P3			

AMP 1471-9 REV 31MM2000

63119

A