

4

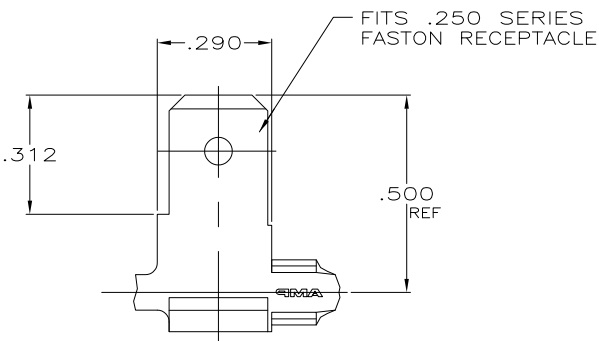
3

2

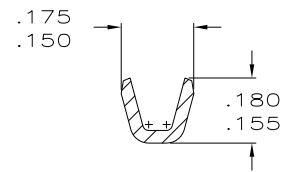
1

THIS DRAWING IS UNPUBLISHED. RELEASED FOR PUBLICATION
 © COPYRIGHT - BY TYCO ELECTRONICS CORPORATION. ALL RIGHTS RESERVED.

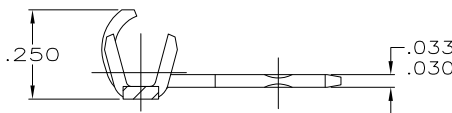
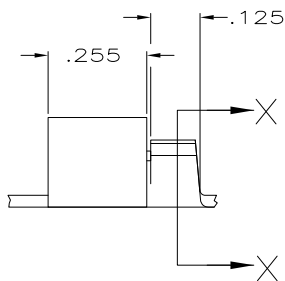
LOC	DIST	REVISIONS			
P	LTR	DESCRIPTION	DATE	DWN	APVD
AF	50	K	REVISED PER ECR-10-004058	08JUN10	HMR PD



1. CONTINUOUS STRIP ON REELS
2. REVERSE REEL OF 42770-2.
3. PRELIMINARY - NOT FOR PRODUCTION.



SECTION X-X



OBSOLETE	.080-.125 DIA	#18-#14 AWG	TIN PLATE	2	42770-3
	.080-.125 DIA	#18-#14 AWG	TIN PLATE		42770-2
	.080-.125 DIA	#18-#14 AWG	-	3	42770-1
	INSULATION RANGE	WIRE RANGE	FINISH		PART NUMBER
THIS DRAWING IS A CONTROLLED DOCUMENT.		DWN M.S. FEHER 18MAR2005	Tyco Electronics Corporation Harrisburg, Pa 17105-3608		
DIMENSIONS: INCHES		CHK K.A. RANDOLPH 18MAR2005	Tyco Electronics		
TOLERANCES UNLESS OTHERWISE SPECIFIED:		APVD K.A. RANDOLPH 18MAR2005	NAME		
0 PLC ± -		PRODUCT SPEC			
1 PLC ± -		APPLICATION SPEC			
2 PLC ± -		WEIGHT			
3 PLC ± .015		SIZE			
4 PLC ± -		CAGE CODE			
ANGLES ± -		DRAWING NO			
MATERIAL #2H BRASS	FINISH TIN	A3 00779		DRAWING NO 42770	
CUSTOMER DRAWING			SCALE	SHEET	REV
			4:1	1 OF 1	K