

4

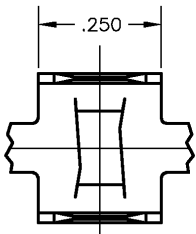
3

2

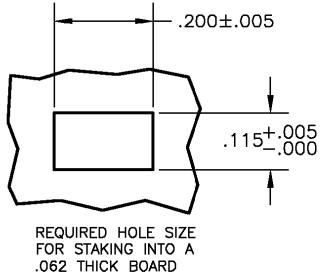
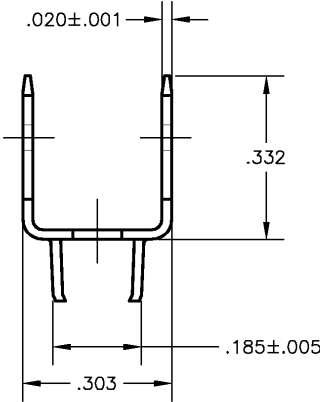
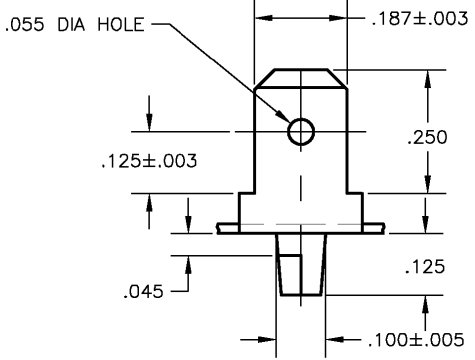
1

THIS DRAWING IS UNPUBLISHED. RELEASED FOR PUBLICATION  
 © COPYRIGHT BY TYCO ELECTRONICS CORPORATION. ALL RIGHTS RESERVED.

LOC		DIST		REVISIONS			
P	LTR	DESCRIPTION	DATE	DWN	APVD		
	R	REDRAWN PER 0G3A-0181-01	14MAR01	JR	ND		



1 CONTINUOUS STRIP ON REELS  
 △ .000150 MIN TIN PLATE OVER  
 .000100 MIN COPPER.



62221-1  
 PART NO.

THIS DRAWING IS A CONTROLLED DOCUMENT.		DWN JR RUTH 14MAR01	Tyco Electronics Corporation Harrisburg, PA. 17057	
DIMENSIONS: INCHES	TOLERANCES UNLESS OTHERWISE SPECIFIED:	G/K MS FEHER 14MAR01	NAME	
0 PLC ± -	1 PLC ± -	APVD N DEIBERT 14MAR01	TAB, FASTON, DUAL, STAKE, .187 SERIES	
2 PLC ± -	3 PLC ± .015	PRODUCT SPEC	SIZE A3	CAGE CODE 00779
4 PLC ± -	ANGLES ± -	APPLICATION SPEC	DRAWING NO 62221	RESTRICTED TO
MATERIAL 081 BRASS	FINISH - △	WEIGHT	CUSTOMER DRAWING	
			SCALE 5:1	SHEET 1 OF 1
			REV R	

AMP 1470-19 REV 31MAR2000  
 06MAR01 2:17pm amp13469