

4

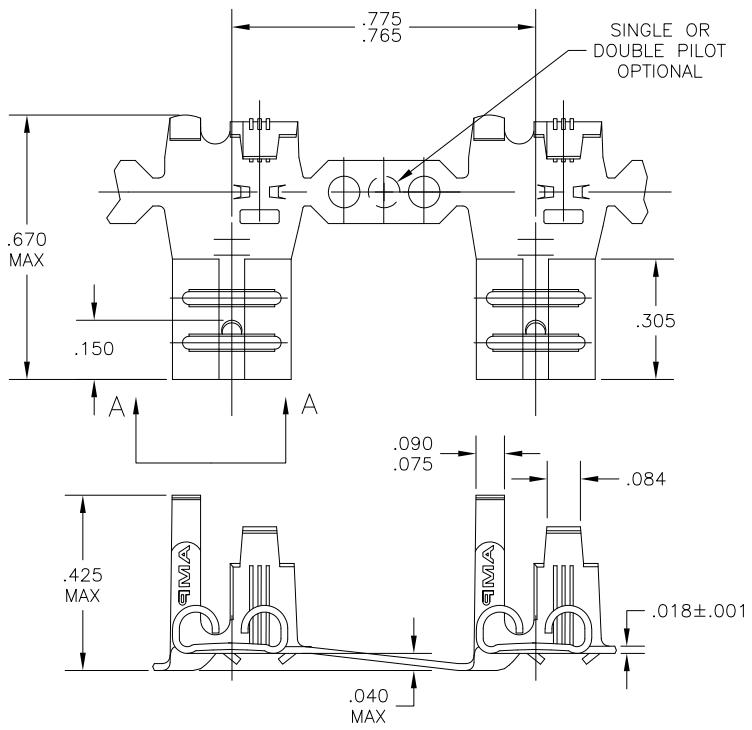
3

2

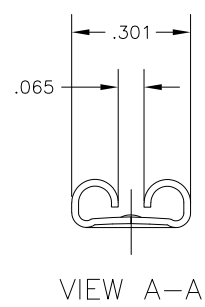
1

THIS DRAWING IS UNPUBLISHED. RELEASED FOR PUBLICATION
 © COPYRIGHT - By - ALL RIGHTS RESERVED.

LOC		DIST		REVISIONS			
P	LTR	DESCRIPTION	DATE	DWN	APVD		
ZZ		REVISED PER ECO-11-004820	11MAR11	RK	HMR		



- 1 CONTINUOUS STRIP ON REELS
- 2 MATING TAB THK IS .032±.001.
- 3 WIRE SIZE IS #18-#12 AWG
- 4 INSULATION RANGE IS .110-.210 DIA.



41532
PART NO.

THIS DRAWING IS A CONTROLLED DOCUMENT.		DWN	JR RUTH	18OCT02	 TE Connectivity RECEPTACLE, FLAG, FASTON, .250 SERIES	RESTRICTED TO
DIMENSIONS:		CHK	P DESANTIS	18OCT02		
INCHES		APVD	P DESANTIS	18OCT02		
TOLERANCES UNLESS OTHERWISE SPECIFIED:		NAME		SIZE		
0 PLC	± -	APPLICATION SPEC		A3	00779	41532
1 PLC	± -	WEIGHT		SCALE		4:1
2 PLC	± -	MATERIAL		SHEET		1 of 1
3 PLC	± .015	FINISH		REV		Z2
4 PLC	± -	4M BRASS		CUSTOMER DRAWING		
ANGLES	± -	.000080 MIN TIN				