

4

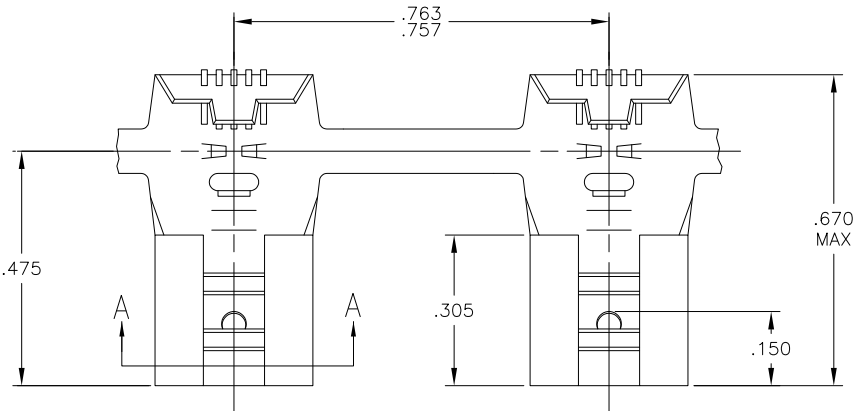
3

2

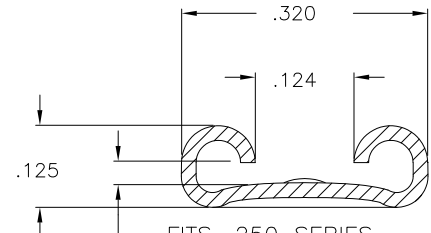
1

THIS DRAWING IS UNPUBLISHED. RELEASED FOR PUBLICATION
 © COPYRIGHT - BY TYCO ELECTRONICS CORPORATION. ALL INTERNATIONAL RIGHTS RESERVED.

LOC	DIST	REVISIONS				
P	LTR	DESCRIPTION	DATE	DWN	APVD	
AF	50	R1	REVISED PER ECR-10-002485	05MAY10	HMR PD	

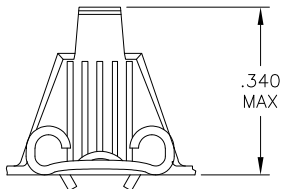


1 CONTINUOUS STRIP ON REELS.



FITS .250 SERIES FASTON TAB

SECTION A-A



LEFT HAND	18-12	.032 ±.001	TIN	.018 PHOS. BRONZE	62056-7
RIGHT HAND	18-12	.032 ±.001	TIN	.018 PHOS. BRONZE	62056-6
LEFT HAND	18-12	.032 ±.001	---	.018 BRASS	62056-5
LEFT HAND	18-12	.032 ±.001	TIN	.018 4M BRASS	62056-4
RIGHT HAND	18-12	.032 ±.001	TIN	.018 4M BRASS	62056-3
LEFT HAND	18-12	.032 ±.001	SILVER	.018 PHOS. BRONZE	62056-2
RIGHT HAND	18-12	.032 ±.001	SILVER	.018 PHOS. BRONZE	62056-1
REELING	WIRE SIZE	TAB THK	FINISH	MATERIAL	PART NO

THIS DRAWING IS A CONTROLLED DOCUMENT.		DWN	JR RUTH	2/3/86	Tyco Electronics Corporation Harrisburg, PA 17105-3608	
DIMENSIONS: INCHES		CHK	M FEHER	2/6/86	NAME	
TOLERANCES UNLESS OTHERWISE SPECIFIED:		APVD	C MEYERS	2/7/86	.250 SERIES FLAG FASTON RECEPTACLE	
0 PLC ± -		PRODUCT SPEC		SIZE		
1 PLC ± -		APPLICATION SPEC		CAGE CODE		
2 PLC ± -		WEIGHT		DRAWING NO		
3 PLC ± .015		MATERIAL		RESTRICTED TO		
4 PLC ± -		FINISH		SCALE		
ANGLES ± -		SEE TABLE		SHEET		
MATERIAL		SEE TABLE		1 OF 1		
SEE TABLE		SEE TABLE		REV		
CUSTOMER DRAWING				NTS		R1