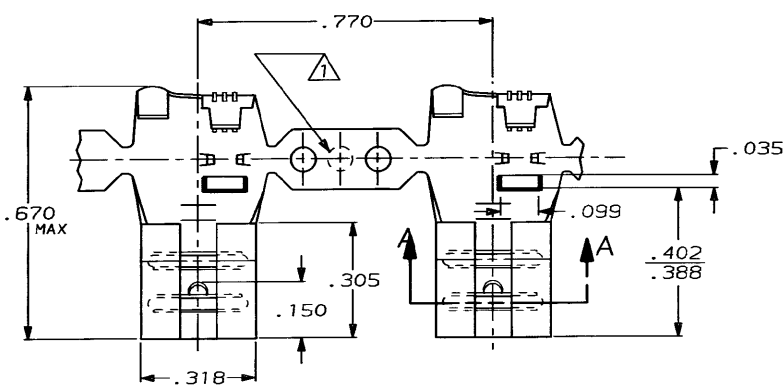


DRAWING MADE IN THIRD ANGLE PROJECTION

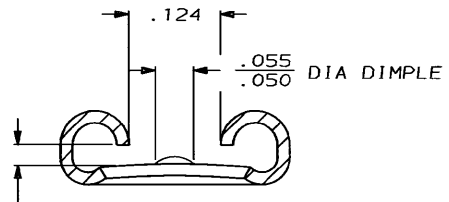
THIS DRAWING IS UNPUBLISHED. RELEASED FOR PUBLICATION .19 .

© COPYRIGHT 19 BY AMP INCORPORATED. ALL INTERNATIONAL RIGHTS RESERVED.

LOC	DIST	P	F	ZONE	LTR	REVISIONS	DATE	APPD
AF	50				U	REVISED AF-6298	10/19/89	JR/CM

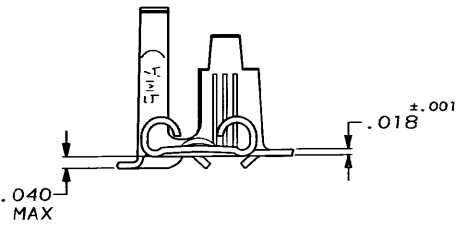


△ SINGLE OR DOUBLE PILOT HOLE OPTIONAL



FITS .250 SERIES FASTON TAB

SECTION A-A  
SCALE 8:1



.110-.210	18-12	.032	41801
INSULATION RANGE	WIRE SIZE	MATING TAB THK ±.001	PART NO
DO NOT SCALE PRINT. UNLESS SPECIFIED DIMENSIONS IN INCHES TOLERANCES ON: 2 PLC DEC = - 3 PLC DEC = .015 ANGLES = -	DR 7/12/89 JR RUTH CHK 7/12/89 MS FIEBER APPD 7/12/89 C MEYERS	<b>AMP</b> AMP INCORPORATED Harrisburg, Pa. 17105 NAME RECEPTACLE, FASTON, FLAG, .250 SERIES	
MATERIAL TEMP 4M BRASS	APPD 7/12/89 R KUZG PRODUCT SPEC -		
FINISH -	APPLICATION SPEC - WEIGHT -	SIZE <b>B</b>	CAGE CODE 00779
		DRAWING NO 41801	SHEET 1 OF 1
		SCALE 4:1	

AMP 1470-15 REV 6-89  
19 OCT 1989 08:24:46 R13483 451284/KEPT2126406/CR2442 FASTON-PR244 250-FL

CUSTOMER DRAWING