

4
DRAWING MADE IN THIRD ANGLE PROJECTION

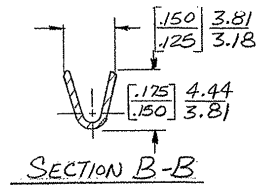
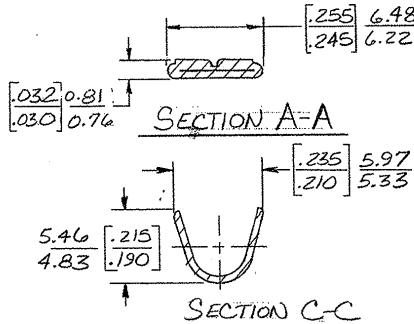
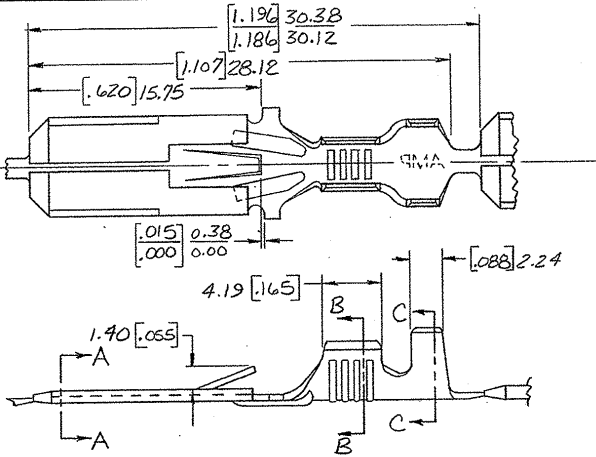
3

2

1 LOG AF DIST 30

THIS DRAWING IS UNPUBLISHED. RELEASED FOR PUBLICATION 19
 © COPYRIGHT 19 BY AMP INCORPORATED, HARRISBURG, PA. ALL INTERNATIONAL RIGHTS RESERVED. AMP PRODUCTS MAY BE COVERED BY U.S. AND FOREIGN PATENTS AND/OR PATENTS PENDING.

P		ZONE	LTR	DESCRIPTION	DATE	APPROVED
✓	✓		AN	REV AF-2585 & AF-2586	4-21-88	AY
✓	✓		AP	REVISD AF-5658	11/11/88	OG/COM
			AK	ADDED - B AF-6009	3/1/89	OG/COM
			AS	OBSOLETE AF-8022	5/22/89	MSF
			AT	REACTIVATED - 6 PER 063A-0431-02	7/27/89	MSF
			DG	PER 42098-2 NO WIN PRE-TIN, E R-07-01221	2/5/89	HT
			DG1	REVISED PER ECO-09-026346	NOV09	AEG



FINISH	MATERIAL	INSULATION RANGE	WIRE SIZE	PART NO				
OBSOLETE	TIN	1.050-1.100	0.38 BRASS	1.120-1.160	3.05-4.06	18-14	0.8-2mm ²	42098-8
OBSOLETE	TIN	0.150	0.38 PHOS. BRZ.	1.120-1.160	3.05-4.06	18-14	0.8-2mm ²	42098-7
OBSOLETE	PRE-TIN	0.150	0.38 BRASS	1.120-1.160	3.05-4.06	18-14	0.8-2mm ²	42098-6
OBSOLETE	NONE	0.150	0.38 PHOS. BRZ.	1.120-1.160	3.05-4.06	18-14	0.8-2mm ²	42098-5
OBSOLETE	NICKEL	0.150	0.38 PHOS. BRZ.	1.120-1.160	3.05-4.06	18-14	0.8-2mm ²	42098-4
	SILVER	0.150	0.38 BRASS	1.120-1.160	3.05-4.06	18-14	0.8-2mm ²	42098-3
	PRE-TIN	0.150	0.38 BRASS	1.120-1.160	3.05-4.06	18-14	0.8-2mm ²	42098-2
	NONE	0.150	0.38 BRASS	1.120-1.160	3.05-4.06	18-14	0.8-2mm ²	42098-1

- 1 - DIM'S. IN BRACKETS ARE IN INCHES.
- 2 - CONTINUOUS STRIP ON REELS.
- △ - FOREIGN PRODUCTION ONLY
- △ - PAPER INTERLAY BETWEEN LAYERS
- △ - OBSOLETE PARTS: OBSOLETE CIS STREAMLINING PER D.RENAUD/D.SINISI

METRIC

UNLESS OTHERWISE SPECIFIED DIMENSIONS ARE IN INCHES. MAX TOLERANCES ON DECIMALS ± 0.05 0.38 ANGLES		CONTRACT NO DR <i>WR Rott 2-25-83</i>		AMP AMP INCORPORATED Harrisburg, Pa.	
MATERIAL <i>HT</i>		CHK <i>G. G. G. 3-1-83</i>		NAME 250 SERIES FASTIN-FASTON TAB	
FINISH <i>HT</i>		APPR <i>G. G. G. 4/21/83</i>		SIZE B	
OTHER APPD		DSGN APPD		FSCM NO 00779	
				DRAWING NO 42098	
		SCALE <i>1/1</i>		SHEET	

CUSTOMER DRAWING