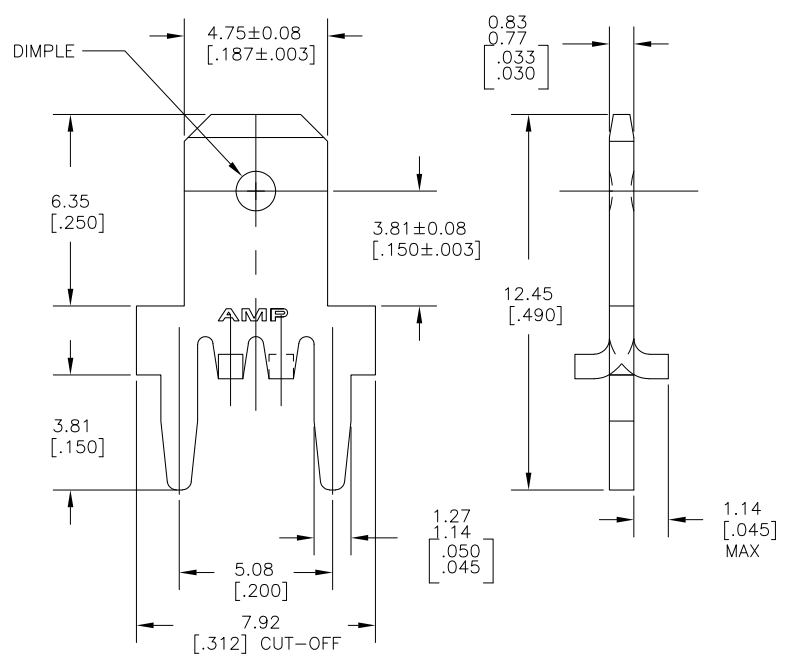
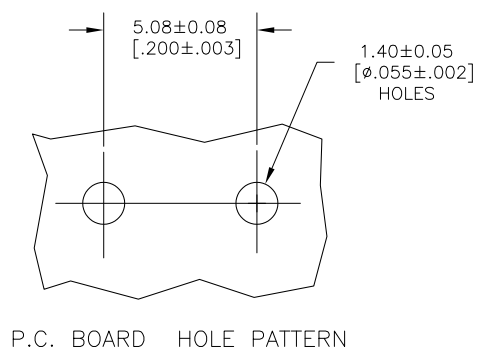


THIS DRAWING IS UNPUBLISHED. RELEASED FOR PUBLICATION
 © COPYRIGHT BY TYCO ELECTRONICS CORPORATION. ALL RIGHTS RESERVED.

LOC	DIST	REVISIONS					
AF	50	P	LTR	DESCRIPTION	DATE	DWN	APVD
		G1		REV PER ECR-11-003939	22FEB11	JR	PD



1 CONTINUOUS STRIP ON REELS.
 TIN PLATE 0.00381 [.000150] MIN OVER
 0.00254 [.000100] MIN THK COPPER OR
 TIN PLATE 0.00381 [.000150] MIN OVER
 0.00127 [.000050] MIN THK NICKEL.



63860-1
 PART NO.

THIS DRAWING IS A CONTROLLED DOCUMENT.		DWN JR RUTH 13FEB01	Tyco Electronics Corporation Harrisburg, PA 17105-3608	
DIMENSIONS: mm [INCHES]		CHK MS FEHER 20FEB01	NAME TAB, FASTON, P.C.BOARD 4.75 [.187]	
TOLERANCES UNLESS OTHERWISE SPECIFIED:		APVD N DEIBERT 20FEB01	PRODUCT SPEC —	
0 PLC ±- 1 PLC ±- 2 PLC ± 0.25 [.010] 3 PLC ±- 4 PLC ±- ANGLES ±-		APPLICATION SPEC —	RESTRICTED TO —	
MATERIAL 082 BRASS	FINISH 2	WEIGHT —	SIZE A3	CAGE CODE 00779
CUSTOMER DRAWING		DRAWING NO C=63860	SCALE 8:1	SHEET 1 of 1
		REV G1		

AMP 1470-19 REV 31MAR2000