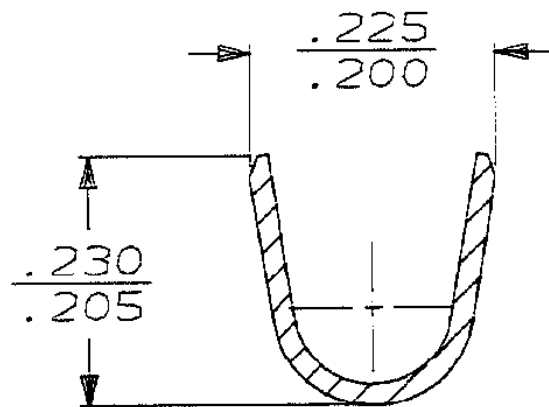
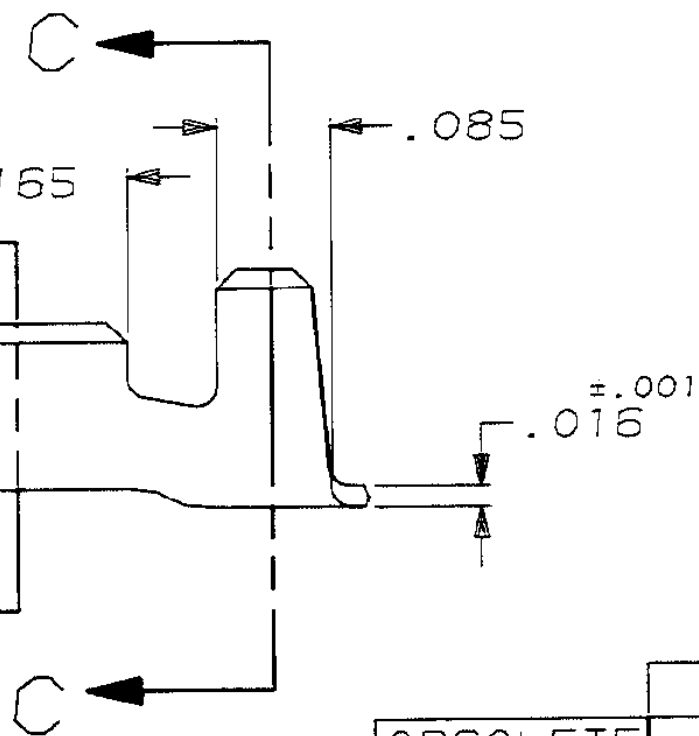


FITS .250 SERIES  
FASTON TAB

VIEW A-A



SECTION C-C

OBSOLETE	TIN	.120-.170	2000-4500	18-14 OR TWO
	FINISH	INSULATION RANGE	CMA	MAGNET WI
DO NOT SCALE PRINT. UNLESS SPECIFIED DIMENSIONS ARE IN INCHES TOLERANCES ON:				DR 5/18/90
2 PLC DEC ± -				CHK 5/18/90
3 PLC DEC ± .015				MS FEHER
ANGLES ± -				APPD 5/18/90
				C MEYERS
				APPD 5/18/90