

4

3

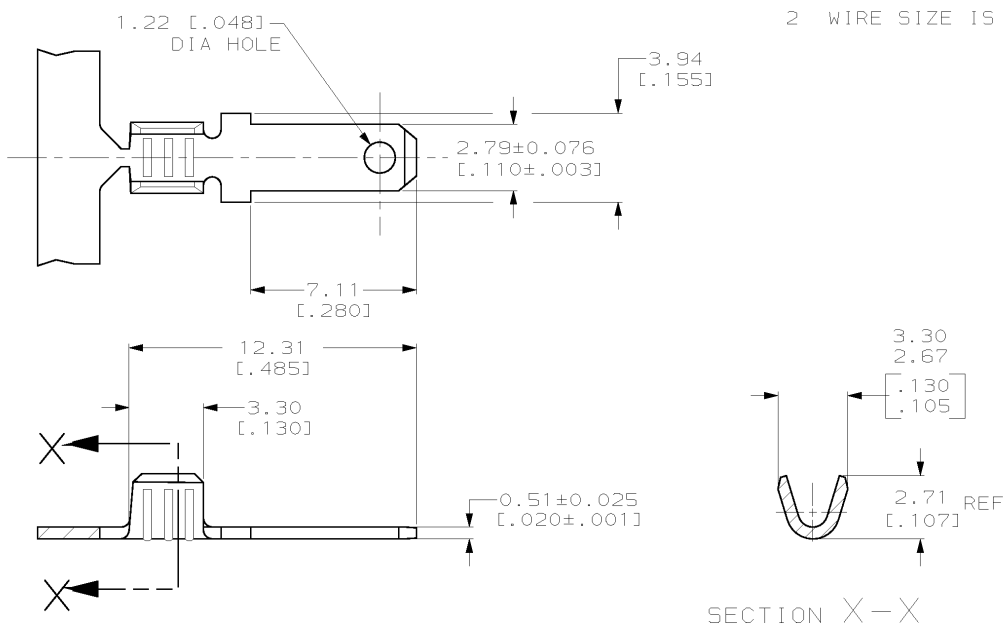
2

1

THIS DRAWING IS UNPUBLISHED. RELEASED FOR PUBLICATION .19  
 © COPYRIGHT 19 BY AMP INCORPORATED. ALL RIGHTS RESERVED.

LOC	DIST	REVISIONS				
P	LTR	DESCRIPTION	DATE	DWN	APVD	
AF	50	J	REV PER 061A-0173-98	6/10/98	JR JW	

- 1 CONTINUOUS STRIP ON REELS.
- 2 WIRE SIZE IS [#22-#18] AWG.



62122-1  
 PART NO.

THIS DRAWING IS A CONTROLLED DOCUMENT.		DWN JR RUTH 8/26/97	<b>AMP</b> AMP Incorporated Harrisburg, PA 17105-3608														
		CHK P FORTNEY 8/26/97															
DIMENSIONS: MM (INCHES)		APVD P DESANTIS 8/26/97	NAME														
<table border="1"> <thead> <tr> <th>TOLERANCES UNLESS OTHERWISE SPECIFIED:</th> <th></th> </tr> </thead> <tbody> <tr> <td>0 PLC</td> <td>±</td> </tr> <tr> <td>1 PLC</td> <td>±</td> </tr> <tr> <td>2 PLC</td> <td>±0.38 (.015)</td> </tr> <tr> <td>3 PLC</td> <td>±</td> </tr> <tr> <td>4 PLC</td> <td>±</td> </tr> <tr> <td>ANGLES</td> <td>±</td> </tr> </tbody> </table>		TOLERANCES UNLESS OTHERWISE SPECIFIED:		0 PLC	±	1 PLC	±	2 PLC	±0.38 (.015)	3 PLC	±	4 PLC	±	ANGLES	±	PRODUCT SPEC	TAB, FASTON, 2.79 [.110] SERIES
TOLERANCES UNLESS OTHERWISE SPECIFIED:																	
0 PLC	±																
1 PLC	±																
2 PLC	±0.38 (.015)																
3 PLC	±																
4 PLC	±																
ANGLES	±																
MATERIAL	082 BRASS	FINISH	PRE-TIN														
		WEIGHT	-														
		SIZE	A3100779														
		DRAWING NO	C-62122														
		RESTRICTED TO	-														
CUSTOMER DRAWING		SCALE	-														
		SHEET	1 OF 1														
		REV	J														