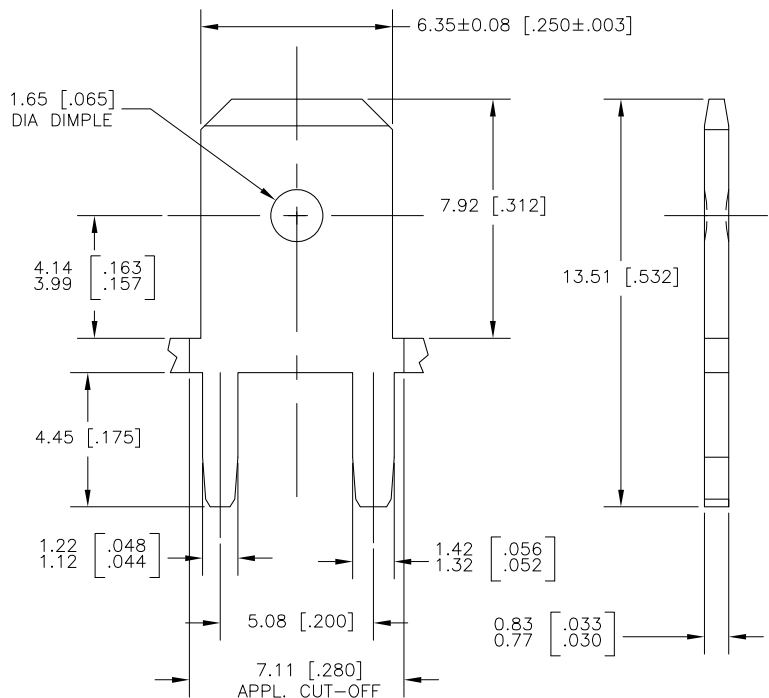
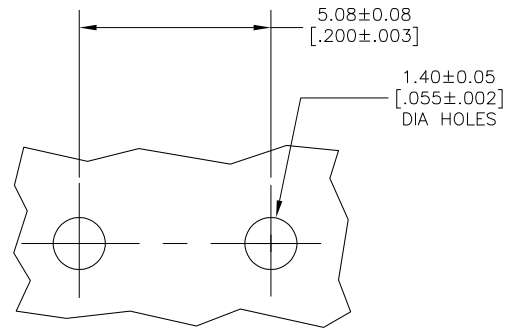


THIS DRAWING IS UNPUBLISHED. RELEASED FOR PUBLICATION
 © COPYRIGHT BY TYCO ELECTRONICS CORPORATION. ALL RIGHTS RESERVED.

LOC	DIST	REVISIONS					
AF	50	P	LTR	DESCRIPTION	DATE	DWN	APVD
		F		REV PER ECR-05-017407	14APR06	HMR	KR



1 CONTINUOUS STRIP ON REELS.
 Δ 0.00381 [.000150] MIN TIN OVER
 0.00254 [.000100] MIN THK COPPER.



P.C. BOARD HOLES
 SCALE 10:1

63650-1
 PART NUMBER

THIS DRAWING IS A CONTROLLED DOCUMENT.		DWN	JR RUTH	15MAR01	tyco Electronics	Tyco Electronics Corporation Harrisburg, PA 17105-3608		
DIMENSIONS: mm [INCHES]		CHK	MS FEHER	20MAR01		NAME TAB, FASTON, PC BOARD, 6.35 [.250] SERIES	RESTRICTED TO	
TOLERANCES UNLESS OTHERWISE SPECIFIED:		APVD	N DEIBERT	20MAR01	SIZE		CAGE CODE	DRAWING NO
0 PLC ±-		PRODUCT SPEC		114-2115		A3	00779	C=63650
1 PLC ±-		APPLICATION SPEC		WEIGHT		CUSTOMER DRAWING		
2 PLC ± 0.38 [.015]		MATERIAL		SCALE		8:1		
3 PLC ±-		O82 BRASS		SHEET		1 of 1		
4 PLC ±-		FINISH		REV		F		
ANGLES ±-		TIN OVER COPPER		REV		F		