

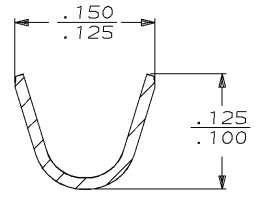
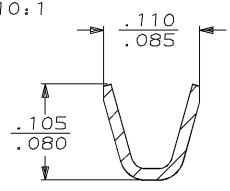
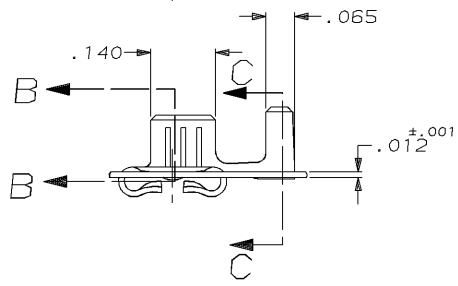
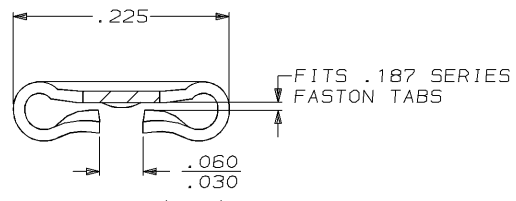
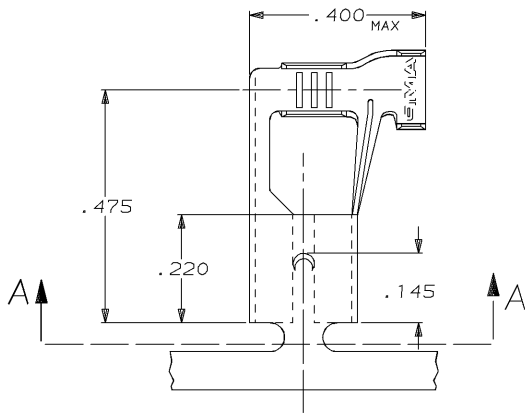
DRAWING MADE IN THIRD ANGLE PROJECTION

THIS DRAWING IS UNPUBLISHED. RELEASED FOR PUBLICATION, 19 .

© COPYRIGHT 19 BY AMP INCORPORATED. ALL INTERNATIONAL RIGHTS RESERVED.

LOC	DIST	REVISIONS				DATE	APPD
P	F	ZONE	LTR	DESCRIPTION			
AF	50			D	REV PER 0433-94	8/23/94	JR/PD

1 CONTINUOUS STRIP ON REELS.



.060-.090 DIA	22-18 AWG	TIN .000080 MIN	.020	62085-2
INSULATION RANGE	WIRE SIZE	FINISH	MATING TAB THK ±.001	PART NO
DO NOT SCALE PRINT. UNLESS SPECIFIED DIMENSIONS ARE IN INCHES TOLERANCES ON: 1 PLC DEC ± .015 ANGLES ± -		DR 11/5/91 JR RUTH	AMP Incorporated Harrisburg, PA 17105-3608	
MATERIAL	H04 BRASS	CHK 11/5/91 NS FEHER	NAME RECEPTACLE, FASTON, FLAG, .187 SERIES	
FINISH	SEE TABLE	APPD 11/5/91 C MEYERS	SIZE B	CAGE CODE 00779
		APPD 11/5/91 D REINER	DRAWING NO	62085
		PRODUCT SPEC -	SCALE	5:1
		APPLICATION SPEC -	SHEET	1 OF 1
		WEIGHT -	CUSTOMER DRAWING	