

4

3

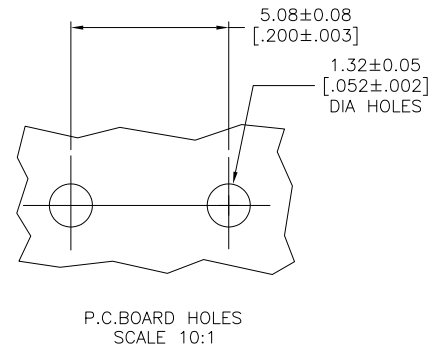
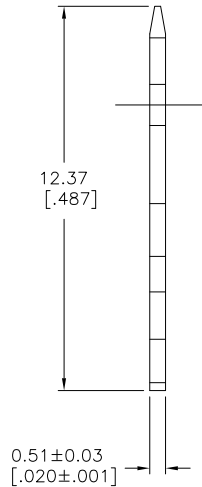
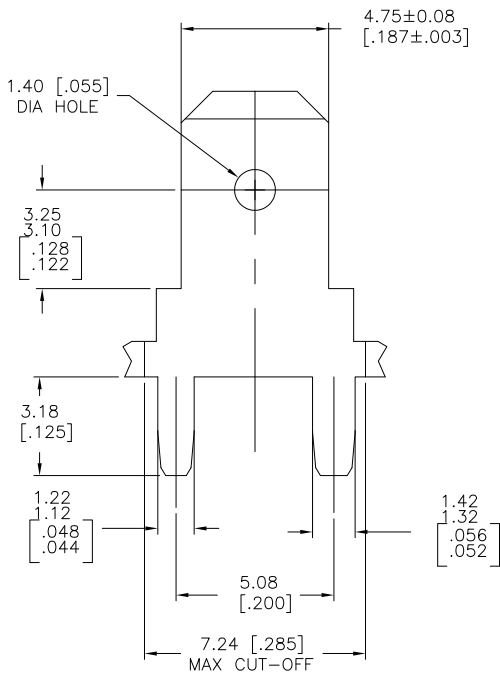
2

1

THIS DRAWING IS UNPUBLISHED. RELEASED FOR PUBLICATION  
 © COPYRIGHT - BY TYCO ELECTRONICS CORPORATION. ALL INTERNATIONAL RIGHTS RESERVED.

LOC		DIST		REVISIONS			
P	LTR	DESCRIPTION		DATE	DWN	APVD	
D1		REVISED PER ECO-09-009918		4/23/09	SS	PD	

- CONTINUOUS STRIP ON REELS.  
 $\Delta$  0.00381 [.000150] MIN TIN OVER  
 0.00254 [.000100] MIN THK COPPER.



63603-1  
 PART NUMBER

THIS DRAWING IS A CONTROLLED DOCUMENT.		DWN	JR RUTH	30NOV00		Tyco Electronics Corporation Harrisburg, PA 17105-3608			
DIMENSIONS: $\frac{mm}{in}$ [INCHES]		CHK	MS FEHER	30NOV00		NAME G. PORTA PRODUCT SPEC APPLICATION SPEC WEIGHT CUSTOMER DRAWING	TAB, FASTON, PC BOARD, 4.75 [.187] SERIES		
TOLERANCES UNLESS OTHERWISE SPECIFIED: 0 PLC ± - 1 PLC ± - 2 PLC ± 0.25 [.010] 3 PLC ± - 4 PLC ± - ANGLES ± -		APVD	G. PORTA	30NOV00	SIZE		A3	CAGE CODE	00779
MATERIAL: 082 BRASS		FINISH: $\Delta$ TIN OVER COPPER		DRAWING NO		C	63603	RESTRICTED TO	-
SCALE: 8:1						SHEET	1	OF	1
						REV	D1		