

4

3

2

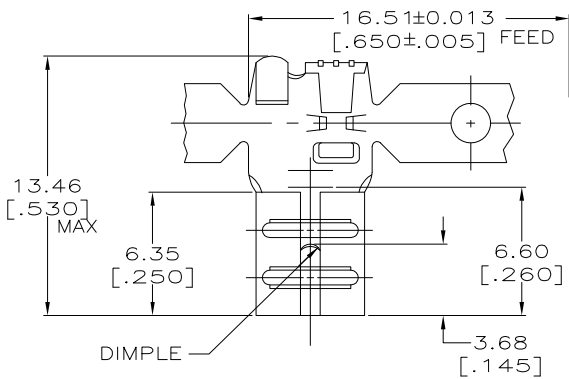
1

THIS DRAWING IS UNPUBLISHED.

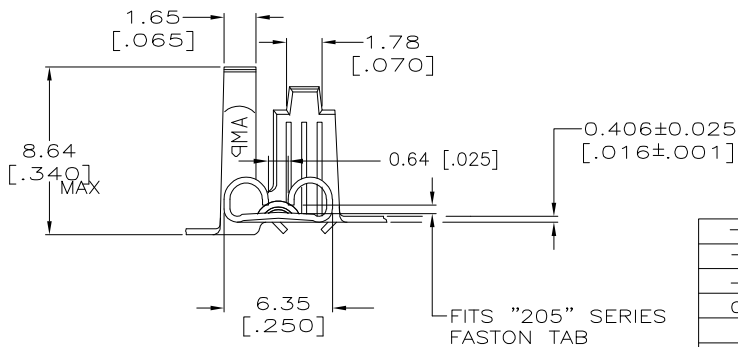
RELEASED FOR PUBLICATION

© COPYRIGHT 1963 BY TYCO ELECTRONICS CORPORATION. ALL RIGHTS RESERVED.

LOC	DIST	REVISIONS			
P	LTR	DESCRIPTION	DATE	DWN	APVD
AF	50				
		N1	REV PER ECR 06-010783	09MAY06	JR PD



- 1 CONTINUOUS STRIP ON REELS.
- 2 WIRE SIZE IS [#20-#14] AWG.
- 3 INSULATION RANGE TO BE 2.79-4.32 [.110-.170] DIA.
- 4 MATING TAB THK TO BE 0.813±0.025 [.032±.001].



-	T3 PHOS BRONZE	42234-5
-	-	-
-	-	-
0.002032 [.000080] MIN TIN	H04 BRASS	42234-2
-	H04 BRASS	42234-1
FINISH	MATERIAL	PART NO

THIS DRAWING IS A CONTROLLED DOCUMENT.		DWN M.S. FEHER 25NOV2003	Tyco Electronics Corporation Harrisburg, PA 17105-3608	
DIMENSIONS: mm		CHK P. DESANTIS 25NOV2003	NAME RECEPTACLE, FASTON, FLAG, 5.21 [.205] SERIES	
TOLERANCES UNLESS OTHERWISE SPECIFIED:		APVD P. DESANTIS 25NOV2003	PRODUCT SPEC -	
0 PLC ± -		APPLICATION SPEC 114-2078		
1 PLC ± -		WEIGHT -		
2 PLC ± 0.25[.010]		SIZE A3		
3 PLC ± -		CAGE CODE 00779		
4 PLC ± -		DRAWING NO C-42234		
ANGLES ± -		RESTRICTED TO -		
MATERIAL SEE TABLE	FINISH SEE TABLE	CUSTOMER DRAWING		SCALE 5:1
			SHEET 1 OF 1	REV N1

AMP 1470-19 REV 31MAR2000