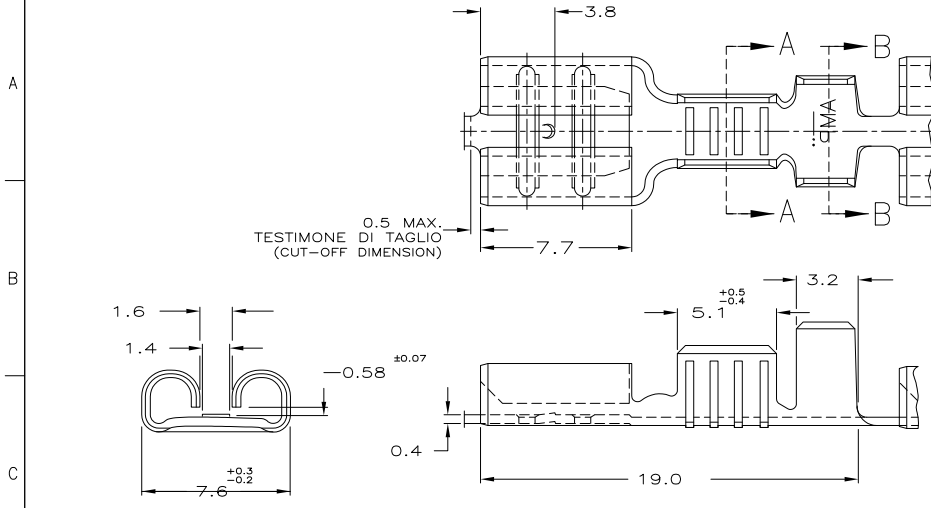


1 2 3 4 5 6 7 8

SCALA NON IMPEGNATIVA (DO NOT SCALE)
DIMENSIONI IN mm METRIC
THIRD ANGLE PROJECTION

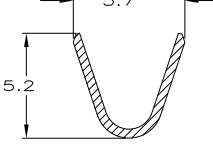
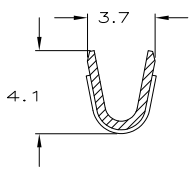


- 1) STATO DI FORNITURA - SCALA 1:1 (SUPPLY CONDITION - SCALE 1:1)
- SENDO DI USCITA DEL TERMINALE DALLA BOBINA (DIRECTION OFF TOP OF REEL)
- 2) SPECIFICA DI PRODOTTO 108-20019 (PRODUCT SPEC. 108-20019)
SPECIFICA DI APPLICAZIONE 114-20023 (APPLICATION SPEC. 114-20023).
- 3) PER LE VERSIONI IN PEZZI SCIOLTI VEDERE DISEGNO 160304 (FOR LOOSE PIECE VERSION SEE DRAWING 160304).
- 4) 115-16-1, GIUNZIONE MEDIANTE SALDATURA (115-16-1, SPlice FREE).
- △ BOBINATO CON CARTA INTERPOSTA (REELED WITH INTERLEAVE PAPER STRIP).
- △ OBSOLETE PARTS: OBSOLETE CIS STREAMLINING PER D.RENAUD/D.SINISI

for 0.8 mm tab thickness.

SEZIONE A-A (SECTION A-A)

SEZIONE B-B (SECTION B-B)



△ OBSOLETE	△ 5				
		NUDO (UNPLATED)	BRONZO FOS. (PH. BRONZE)	4-160256-9	CU
		ARGENTATO (SILVER PLATED)	OTTONE (BRASS)	4-160256-7	CU
		NUDO (UNPLATED)	BRONZO FOS. (PH. BRONZE)	4-160256-5	CT
	△ 5	PRE NICHELATO (PRE NICKEL PLATED)	ACCIAIO (STEEL)	4-160256-2	CT
		STAGNATO (TIN PLATED)	BRONZO FOS. (PH. BRONZE)	3-160256-1	CT
		NUDO (UNPLATED)	BRONZO FOS. (PH. BRONZE)	2-160256-8	CT
	△ 5	STAGNATO (TIN PLATED)	OTTONE (BRASS)	2-160256-2	CU
		NUDO (UNPLATED)	OTTONE (BRASS)	2-160256-1	CT
		PRE NICHELATO (PRE NICKEL PLATED)	ACCIAIO (STEEL)	0-160256-5	CT
NOTE		FINITURA / COLORE (FINISH / COLOUR)	MATERIALE (MATERIAL)	NUMERO (AMP P/N)	REV

CUSTOMER DWG. FOR REFERENCE ONLY DISEGNO PER CLIENTE SOLO PER RIFERIMENTO

REV.	REVISIONI (REVISION RECORD)	DIS. DATA (APP.) (DR) (DATE)	LOC. SIZE (DWG NO)	NUMERO (REV)	FOGLIO (SHEET) (DI) (OP)
1	A3	C-160256	CU6	1	1

REV.	REVISIONI (REVISION RECORD)	DIS. DATA (APP.) (DR) (DATE)	LOC. SIZE (DWG NO)	NUMERO (REV)	FOGLIO (SHEET) (DI) (OP)
CU6	REVISED PER ETOO-0018-00	KK 24 MAG 2009	THIS DRAWING IS UNPUBLISHED	RELEASE FOR PUBLICATION	19
CU5	ELIMINATED PART ETOO-0038-04	H.Y. 24 MAR 2009	© COPYRIGHT 19 BY AMP INCORPORATED, HARRISBURG, PA. ALL INTERNATIONAL RIGHT RESERVED. AMP PRODUCTS MAY BE COVERED BY U.S. AND FOREIGN PATENT AND/OR PATENT PENDING		
CU4	REVISED PACKAGING ETOO-0184-02	H.Y. 23 SEP 2001	TOLLERANZE SE NON INVERSIAMENTE SPECIFICATO	DIAM. ISOLANTE (INS. DIA. RANGE)	RANGO FILO (WIRE RANGE)
CU3	REVISED ETOO-0286-01	H.Y. 27 DEC 2001	TOLLERANZE: UNLESS OTHERWISE SPECIFIED)	3.0-4.3mm DIA.	1.0-2.5 mm2
CU2	REVISED PACKAGING ETOO-0046-01	H.Y. 29 FEB 2001	± 0.3		5:1
CU1	REACTIVATED 4-1-99 ETOO-0004-01	H.Y. 28 APR 2001	ANGOLI (ANGLES)	± 2'	
CU	ADDED NOTE (5) ETOO-0227-00	H.Y. 24 MAR 2001			
CT1	ADDED NOTE 4 ETOO-0201-00	H.Y. 14 MAR 2001	DIS. H. YAALI (DR.)	27 JAN 2000	
CT	OBSOLETE PARTS ETOO-0309-99	H.Y. 29 MAR 2001	CONT. C. TARTARI (CHK)	27 JAN 2000	
CS	REVISED & REDRAWN ETOO-0011-00	H.Y. 11 FEB 2000			

AMP AMP ITALIA S.p.A.
Corso F.lli Capri, 15
COLLEGNO (TORINO)

DESCRIPTION (DESCRIPTION) FASTON® Connector,
.250" sr. REC. CONTACT.

DISTRIBUZIONE (PRINT DIST.)