

4

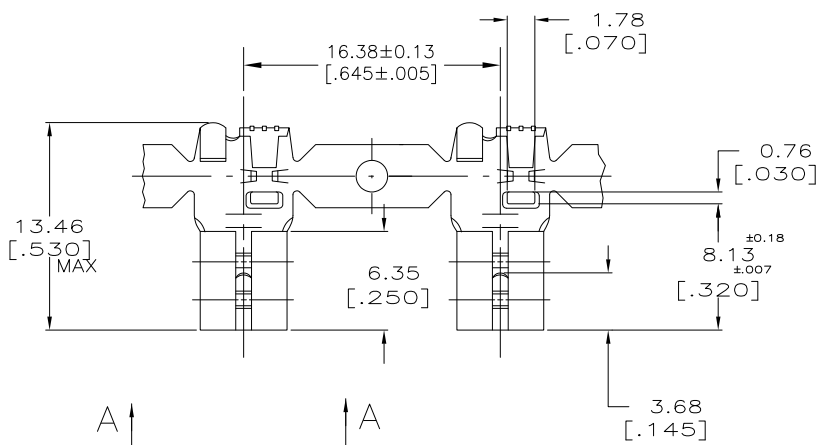
3

2

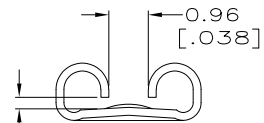
1

THIS DRAWING IS UNPUBLISHED. RELEASED FOR PUBLICATION
 © COPYRIGHT - BY TYCO ELECTRONICS CORPORATION. ALL INTERNATIONAL RIGHTS RESERVED.

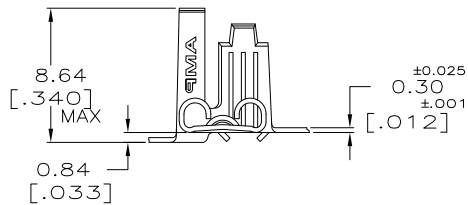
LOC	DIST	REVISIONS				
P	LTR	DESCRIPTION	DATE	DWN	APVD	
AF	50					
	H2	REV PER ECR 10-009792	07MAY10	JR	PD	



- 1 CONTINUOUS STRIP ON REELS
- 2 TIN PLATE 0.002032 [.000080] MIN THK.
- 3 SILVER PL 0.00381 [.000150] MIN THK.
- 4 WIRE SIZE IS 0.5-1.4mm [20-16] AWG
- 5 INSULATION RANGE IS 2.79-4.32 [.110-.170] DIA.
- 6 MATING TAB THK IS 0.81±0.025 [.032±.001].
- 7 PRELIMINARY - NOT FOR PRODUCTION



FITS .187 SERIES
FASTON TAB
VIEW A-A



--	7	62591-2
3		62591-2
2		62591-1
FINISH		PART NO

THIS DRAWING IS A CONTROLLED DOCUMENT.		DWN	JR RUTH	7/23/91	Tyco Electronics Corporation Harrisburg, PA 17105-3608	
DIMENSIONS: MM [INCHES]		CHK	MS FEHER	7/23/91	RECEPTACLE, FASTON, 4.75 [.187] SERIES	
TOLERANCES UNLESS OTHERWISE SPECIFIED:		APVD	D REINER	7/23/91	NAME	
0 PLC ± -		PRODUCT SPEC		SIZE CAGE CODE DRAWING NO		
1 PLC ± -		APPLICATION SPEC		RESTRICTED TO		
2 PLC ± 0.38 [.015]		WEIGHT		A3 00779 C-62591		
3 PLC ± -		MATERIAL		CUSTOMER DRAWING		
4 PLC ± -		FINISH		SCALE 4:1 SHEET 1 OF 1 REV H2		
4 ANGLES ± -		SEE TABLE				