

4

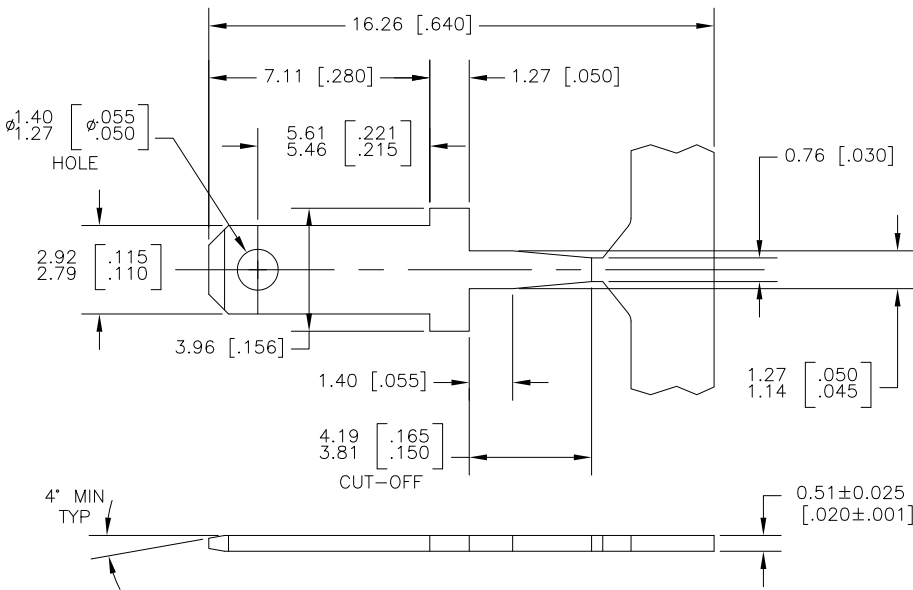
3

2

1

THIS DRAWING IS UNPUBLISHED. RELEASED FOR PUBLICATION
 © COPYRIGHT - By - ALL RIGHTS RESERVED.

LOC	DIST	REVISIONS					
AF	50	P	LTR	DESCRIPTION	DATE	DWN	APVD
		T2		REVISED PER ECO-11-004820	11MAR11	RK	HMR



- 1 CONTINUOUS STRIP ON REELS
- △ PART TO MEET AMP SOLDERABILITY SPEC 109-11-2 (MILDLY ACTIVATED ROSIN)
- 3 FITS 1.22/1.11 [.048/.044] DIA HOLE IN PC BOARD. WHEN PLATED THRU HOLES ARE TO BE USED, ADJUSTMENT TO HOLE DIA'S SHOULD BE MADE TO ALLOW FOR THE PLATING.
- △ PRELIMINARY - NOT FOR PRODUCTION, TO BE REELED ON PLASTIC REELS.
- △ SPLICE FREE REELING.
- △ 0.00381 [.000150] MIN TIN OVER 0.00254 [.000100] MIN COPPER.
- △ 0.00381 [.000050] MIN TIN OVER COPPER.
- △ OBSOLETE PARTS: OBSOLETE CIS STREAMLINING PER D.RENAUD/D.SINISI

△8 OBSOLETE	△6	△5 62395-4
	△6	△4 62395-3
SUPERSEDED BY 62395-1	△6	△6 62395-2
	△6	62395-1
	FINISH	PART NO.

THIS DRAWING IS A CONTROLLED DOCUMENT.		DWN	JR RUTH	12DEC00	 TE Connectivity
DIMENSIONS: MM (INCHES)		CHK	MS FEHER	12DEC00	
TOLERANCES UNLESS OTHERWISE SPECIFIED:		APVD	G PORTA	12DEC00	
0 PLC ± - 1 PLC ± - 2 PLC ± 0.25 [.010] 3 PLC ± - 4 PLC ± - ANGLES ± -		NAME	TAB, FASTON, PC BOARD, 2.79 [.110] SERIES		
MATERIAL	082 BRASS	FINISH	SEE TABLE	WEIGHT	-
		SIZE	A3	CAGE CODE	00779
		DRAWING NO	C-62395		RESTRICTED TO
		CUSTOMER DRAWING	SCALE	8:1	SHEET 1 OF 1
					REV T2