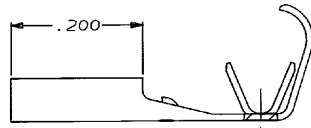
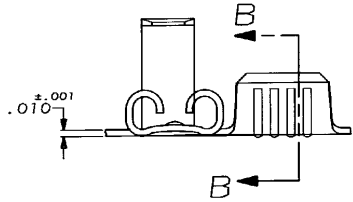
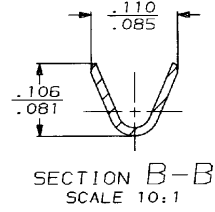
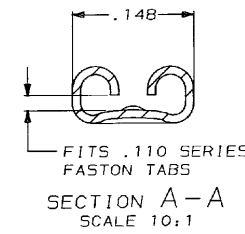
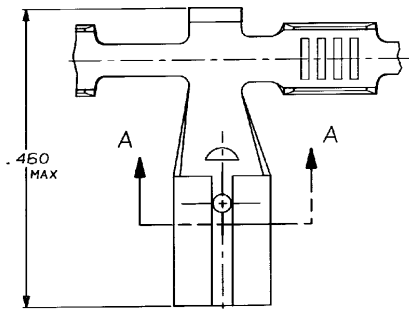


DRAWING MADE IN THIRD ANGLE PROJECTION  
 THIS DRAWING IS UNPUBLISHED. RELEASED FOR PUBLICATION  
 © COPYRIGHT 19 BY AMP INCORPORATED. ALL INTERNATIONAL RIGHTS RESERVED.

LOC		DIST		REVISIONS				DATE	APPD	
P	F	ZONE	LTR	DESCRIPTION						
AF	50			B	REDRAWN AF-7403				4/24/91	JR

1 CONTINUOUS STRIP ON REELS



.065-.100 DIA	22-18 AWG	.020	61372-1
INSULATION RANGE	WIRE SIZE	MATING TAB THK ±.001	PART NO
DO NOT SCALE PRINT. UNLESS SPECIFIED, DIMENSIONS ARE IN INCHES. TOLERANCES ON: 1 P.L.C. DEC = .010 2 P.L.C. DEC = .015 ANGLES =	DR 4/24/91 JR RUTH CHK 4/24/91 RG FEHER APPD 4/24/91 C NEEDS	AMP Incorporated Harrisburg, PA 17105-3608	
MATERIAL #4H BRASS	PRODUCT SPEC -	NAME RECEPTACLE, FASTON, FLAG, .110 SERIES	
FINISH PRE-TIN	APPLICATION SPEC -	SIZE B	CAGE CODE 00779
WEIGHT -	SCALE 8:1	DRAWING NO 61372	SHEET 1 OF 1

AMP 1470-15 REV 11-89  
 24 APR 1991 09:16:12 AMP1385 405280-REP127270-006270-R FASTON RECP .110-R

CUSTOMER DRAWING