

4

3

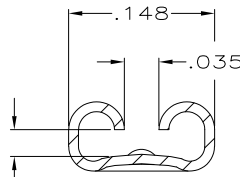
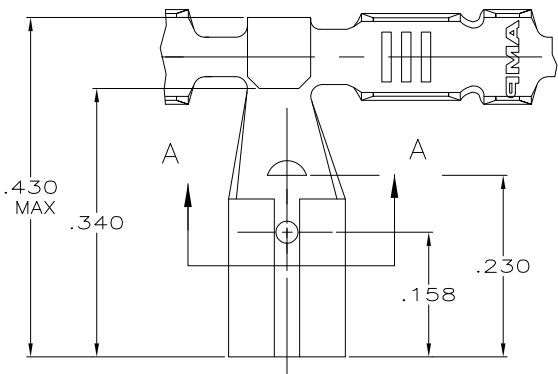
2

1

THIS DRAWING IS UNPUBLISHED. RELEASED FOR PUBLICATION
 © COPYRIGHT - By - ALL RIGHTS RESERVED.

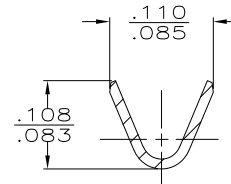
LOC	DIST	REVISIONS			
P	LTR	DESCRIPTION	DATE	DWN	APVD
	AF 50				
		C1 REVISED PER ECO-11-005027	11MAR11	RK	HMR

1 CONTINUOUS STRIP ON REELS

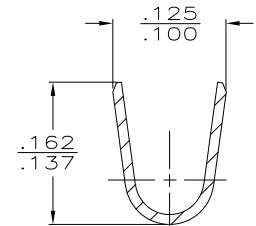


FITS .110 SERIES FASTON TABS

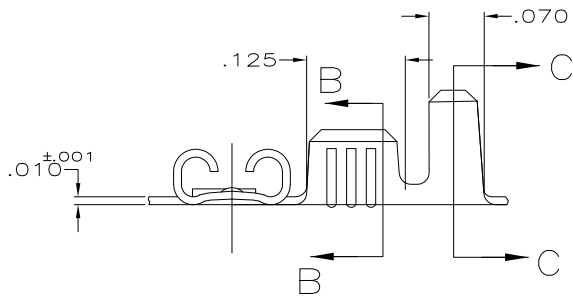
SECTION A-A
SCALE 10:1



SECTION B-B
SCALE 10:1



SECTION C-C
SCALE 10:1



.060-.100 DIA	22-18 AWG	.020	61481-1
INSULATION RANGE	WIRE SIZE	MATING TAB THK ±.001	PART NO

THIS DRAWING IS A CONTROLLED DOCUMENT.		DWN JR RUTH 4/22/91	STE TE Connectivity	
DIMENSIONS: INCHES		CHK MS FEHER 4/22/91		
TOLERANCES UNLESS OTHERWISE SPECIFIED:		APVD C MEYERS 4/22/91	NAME	
0 PLC ± -	1 PLC ± -	PRODUCT SPEC	RECEPTACLE, FASTON, FLAG, .110 SERIES	
2 PLC ± -	3 PLC ± .015	APPLICATION SPEC	RESTRICTED TO	
4 PLC ± -	ANGLES ± -	WEIGHT -	SIZE A3	CAGE CODE C-61481
MATERIAL #4H BRASS	FINISH PRE-TIN	CUSTOMER DRAWING	DRAWING NO	REV C1
SCALE 8:1			SHEET 1 OF 1	