

4

3

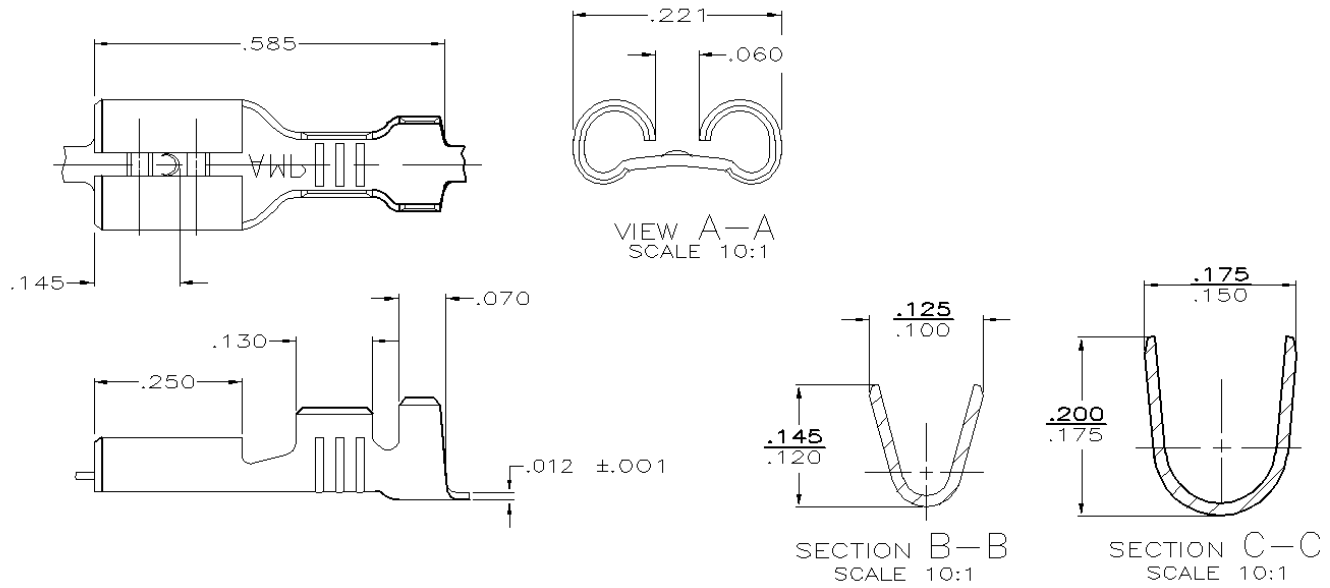
2

1

THIS DRAWING IS UNPUBLISHED. RELEASED FOR PUBLICATION
 © COPYRIGHT BY TYCO ELECTRONICS CORPORATION. ALL RIGHTS RESERVED.

LOC	DIST	REVISIONS			
P	LTR	DESCRIPTION	DATE	DWN	APVD
D		REACT -2 PER 0473-93	1/4/94	JR	PD

1 CONTINUOUS STRIP ON REELS.



TIN .000080 MIN	.090-.130	20-16	.032	61758-2
-	.090-.130	20-16	.032	61758-1
FINISH	INSUL RANGE	WIRE SIZE	MATING TAB THK ±.001	PART NO.

THIS DRAWING IS A CONTROLLED DOCUMENT.		DWN JR RUTH 2/28/90	Tyco Electronics Corporation Harrisburg, PA 17105	
DIMENSIONS: INCHES		CHK MS FEHER 2/28/90	NAME RECEPTACLE, FASTON, .187 SERIES	
TOLERANCES UNLESS OTHERWISE SPECIFIED:		APVD C MEYERS 2/28/90	PRODUCT SPEC	
0 PLC ±-		APPLICATION SPEC	SIZE	
1 PLC ±-		WEIGHT	CAGE CODE	DRAWING NO
2 PLC ±		A3 00779 C-61758		
3 PLC ±.010		CUSTOMER DRAWING		
4 PLC ±-		SCALE 6:1 SHEET 1 OF 1 REV D		
ANGLES ±-		RESTRICTED TO		
MATERIAL #4H BRASS	FINISH SEE TABLE			

AMP 1470-19 REV 31MAR2000

H:\dntecread\