

4

3

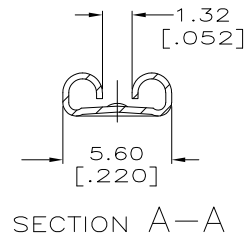
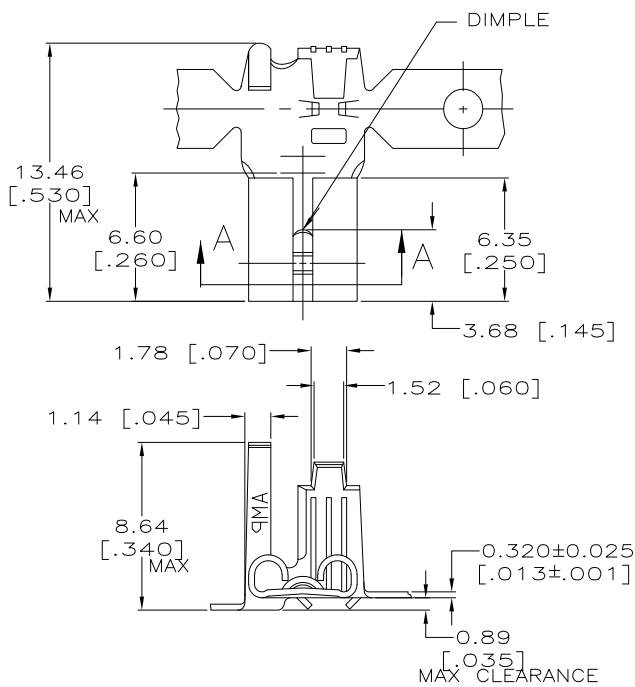
2

1

THIS DRAWING IS UNPUBLISHED. RELEASED FOR PUBLICATION
 © COPYRIGHT - BY TYCO ELECTRONICS CORPORATION. ALL RIGHTS RESERVED.

| LOC | DIST | REVISIONS | | | | |
|-----|------|-------------|-----------------------|---------|-------|--|
| P | LTR | DESCRIPTION | DATE | DWN | APVD | |
| AF | 50 | | | | | |
| | | E2 | REV PER ECR 10-021634 | 21OCT10 | JR PD | |

- 1 CONTINUOUS STRIP ON REELS.
- 2 ACCEPTS [#20-#16] AWG WIRE.
- 3 INSULATION RANGE TO BE 2.79-4.32
[.110-.170] DIA.
- 4 MATING TAB THICKNESS TO BE
 0.51 ± 0.025 [.020 ± .001]
- 5 FEED TO BE 16.38 ± 0.13 [.645 ± .005]
- 6 PRELIMINARY - NOT FOR PRODUCTION



| | | | |
|----------------------------|-----------------|----------|----------|
| 0.002032 [.000080] MIN TIN | H04 PHOS BRONZE | 6 | 42618-3 |
| 0.002032 [.000080] MIN TIN | H04 BRASS | | 42618-2 |
| - | H04 BRASS | | 42618-1 |
| FINISH | | MATERIAL | PART NO. |

| THIS DRAWING IS A CONTROLLED DOCUMENT. | | DWN | 1/25/96 | Tyco Electronics | | Tyco Electronics Corporation | |
|---|--|------------------|---------|---------------------------|-----------|---|---------------|
| DIMENSIONS: MM [INCHES] | | CHK | 1/25/96 | Harrisburg, PA 17105-3608 | | NAME | |
| TOLERANCES UNLESS OTHERWISE SPECIFIED: 0 PLC ± - 1 PLC ± - 2 PLC ± 0.38 [.015] 3 PLC ± - 4 PLC ± - ANGLES ± - | | P | FORTNEY | P | | DESANTIS | |
| MATERIAL SEE TABLE | | APVD | 1/25/96 | PRODUCT SPEC | | RECEPTACLE, FASTON, FLAG, MOLDABLE, 4.75 [.187] SERIES | |
| FINISH SEE TABLE | | APPLICATION SPEC | | SIZE | CAGE CODE | DRAWING NO | RESTRICTED TO |
| | | WEIGHT | | A3 | 00779 | C-42618 | - |
| CUSTOMER DRAWING | | | | SCALE | 5:1 | SHEET | 1 of 1 |
| | | | | REV | E2 | | |

AMP 1470-19 REV 31MAR2000