

4

3

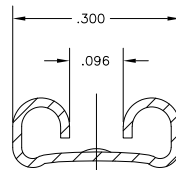
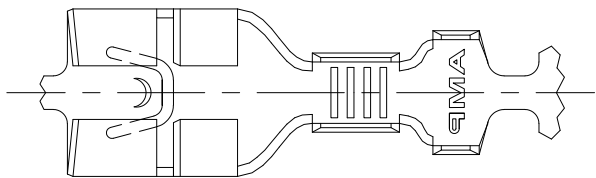
2

1

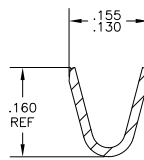
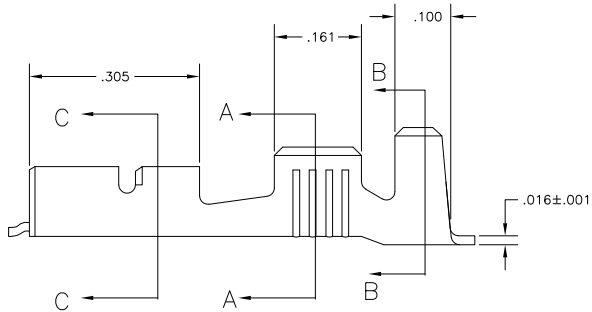
THIS DRAWING IS UNPUBLISHED. RELEASED FOR PUBLICATION
 © COPYRIGHT - By - ALL RIGHTS RESERVED.

LOC	DIST	REVISIONS			
P	LR	DESCRIPTION	DATE	BY	APPD
AF	50				
		N1	REVISED PER ECO-11-004820	11MAR11	RK HMR

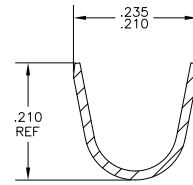
- 1 CONTINUOUS STRIP ON REELS
- △ ACCEPTS #18-#14 AWG WIRE SIZE
- 3 INSULATION RANGE IS .120-.170 DIA
- 4 MATING TAB THK IS .032±.001.
- △ REELED WITH INTERLEAVING PAPER
- △ PRELIMINARY - NOT FOR PRODUCTION



SECTION C-C



SECTION A-A



SECTION B-B

△ STANDARD	.000080 MIN TIN	△ 1-63306-0
OBSOLETE	REVERSE	63306-3
STANDARD	.000080 MIN TIN	63306-2
STANDARD	-	63306-1
REELING	FINISH	PART NO

THIS DRAWING IS A CONTROLLED DOCUMENT.		DRN	J.R. RUTH	20AJUN02	
DIMENSIONS: INCHES		CHK	P. DESANTIS	20AJUN02	
OTHER DIMENSIONS: MILLIMETERS		APPD	P. DESANTIS	20AJUN02	RECEPTACLE, FASTON, .250 SERIES
MATERIAL: 4M BRASS		FINISH	SEE TABLE		
FINISH: SEE TABLE		SIZE	A2	00779	C=63306
CUSTOMER DRAWING		SCALE	8:1	SHEET	1 of 1
		REV	N1		