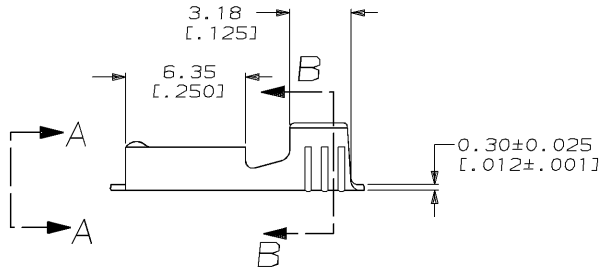
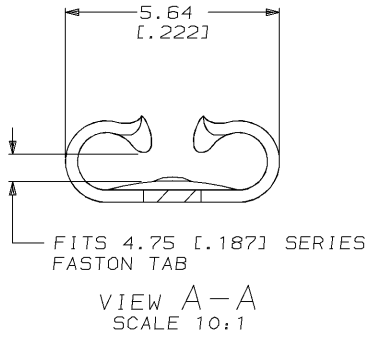
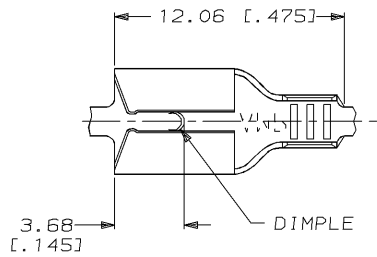


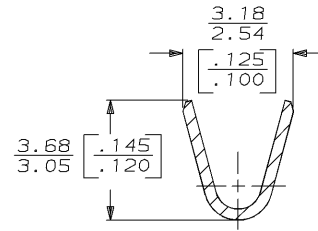
DRAWING MADE IN THIRD ANGLE PROJECTION

THIS DRAWING IS UNPUBLISHED. RELEASED FOR PUBLICATION, 19
 © COPYRIGHT 19 BY AMP INCORPORATED. ALL INTERNATIONAL RIGHTS RESERVED.

LOC	DIST	REVISIONS				
P	F	ZONE	LTR	DESCRIPTION	DATE	APPD
AF	50		B	REDRAWN PER 0L10-0034-97	1/24/97	JR/PD



- 1 CONTINUOUS STRIP ON REELS
- 2 TIN PLATE 0.002032 [.000080] MIN THK.
- 3 MATING TAB THK TO BE 0.81±0.025 [.032±.001].
- 4 WIRE SIZE IS [#20-#16] AWG.



SECTION B-B
SCALE 10:1

61969-1

PART NO

DO NOT SCALE PRINT. UNLESS SPECIFIED DIMENSIONS IN mm (INCHES) TOLERANCES ON: 2 PLC DEC ± 0.38 (.015) 3 PLC DEC ± - ANGLES ± -		DR 1/24/97 JR RUTH	AMP AMP Incorporated Harrisburg, PA 17105-3608	NAME RECEPTACLE, FASTON,™ 4.75 [.187] SERIES	
MATERIAL #4H BRASS	CHK 1/24/97 P FORTNEY	APPD 1/24/97 P BESANTIS		SIZE B	CAGE CODE 00779
FINISH 2	PRODUCT SPEC -	APPD 1/24/97 D BRATINA	DRAWING NO 61969	SCALE 5:1	
	APPLICATION SPEC -	WEIGHT -	SHEET 1 OF 1		

CUSTOMER DRAWING