

4

3

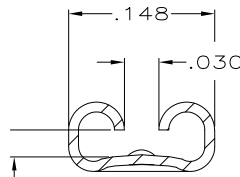
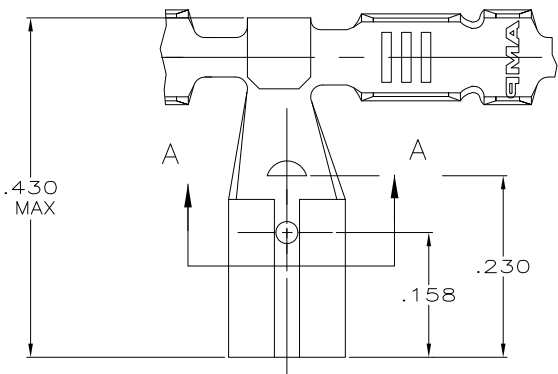
2

1

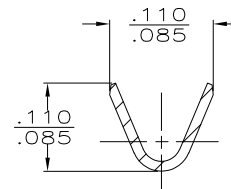
THIS DRAWING IS UNPUBLISHED. RELEASED FOR PUBLICATION
 © COPYRIGHT - By - ALL RIGHTS RESERVED.

LOC		DIST		REVISIONS				
P	LTR	DESCRIPTION			DATE	DWN	APVD	
	C1	REVISED PER ECO-11-004820			11MAR11	RK	HMR	

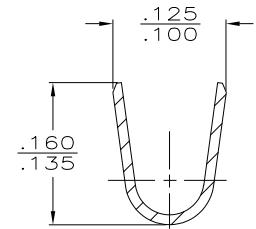
1 CONTINUOUS STRIP ON REELS



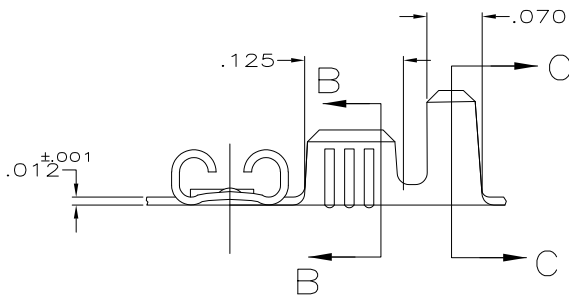
— FITS .110 SERIES FASTON TABS
 SECTION A-A
 SCALE 10:1



SECTION B-B
 SCALE 10:1



SECTION C-C
 SCALE 10:1



—	.060-.100 DIA	22-18 AWG	.020	61070-2
TIN				61070-1
FINISH	INSULATION RANGE	WIRE SIZE	MATING TAB THK ±.001	PART NO

THIS DRAWING IS A CONTROLLED DOCUMENT.		DWN	JR RUTH	4/22/91	 TE Connectivity
DIMENSIONS:		CHK	MS FEHER	4/22/91	
INCHES		APVD	C MEYERS	4/22/91	
TOLERANCES UNLESS OTHERWISE SPECIFIED:		NAME		RECEPTACLE, FASTON, FLAG, .110 SERIES	
0 PLC	± -	PRODUCT SPEC		RESTRICTED TO	
1 PLC	± -	APPLICATION SPEC		SIZE	CAGE CODE
2 PLC	± -	WEIGHT		A3	00779
3 PLC	± .015	MATERIAL		DRAWING NO	C=61070
4 PLC	± -	FINISH		SCALE	8:1
ANGLES	± -	SEE TABLE		SHEET	1 OF 1
#4H BRASS		CUSTOMER DRAWING		REV	C1