

4

3

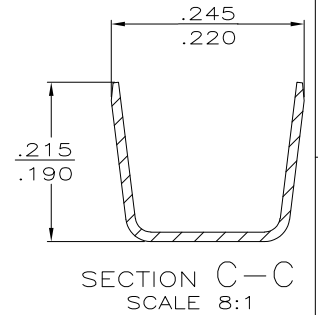
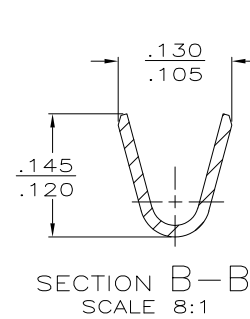
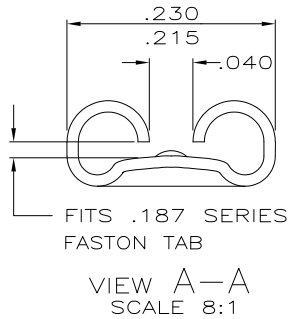
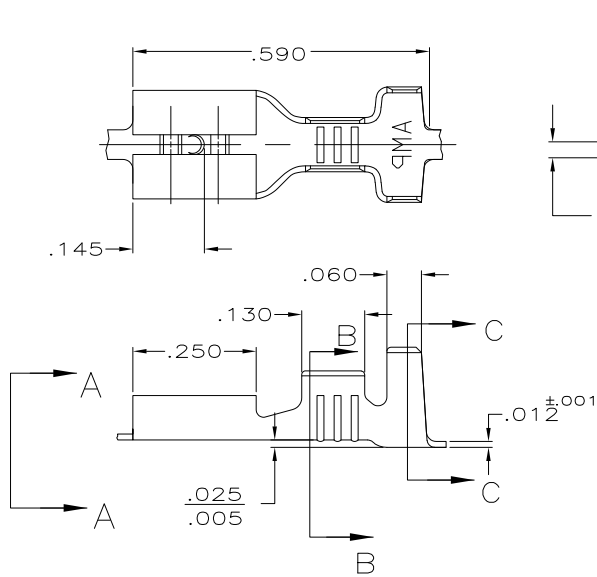
2

1

THIS DRAWING IS UNPUBLISHED. RELEASED FOR PUBLICATION
 © COPYRIGHT - BY TYCO ELECTRONICS CORPORATION. ALL INTERNATIONAL RIGHTS RESERVED.

LOC		DIST		REVISIONS			
P	LTR	DESCRIPTION		DATE	DWN	APVD	
	M2	REVISED PER ECR-09-009910		4/27/09	SS	PD	

- 1 CONTINUOUS STRIP ON REELS
- 2 PRELIMINARY - NOT FOR PRODUCTION



NICKEL	T2 STEEL	.105-.210 OR (2) .105 MAX	18-16 OR (2) #18's	.020	△ 60487-3
TIN	#4H BRASS				60487-2
-	-	INSULATION RANGE	WIRE SIZE	MATING TAB THK ±.001	60487-1
FINISH	MATERIAL				PART NO

F	.210	.188	F	.100	-	-
					.055	16
					.049	18
TYPE	WIDTH	STRIP LENGTH ±.015	TYPE	WIDTH	±.002 HEIGHT	WIRE
INSUL BARREL CRIMP	WIRE BARREL CRIMP					

THIS DRAWING IS A CONTROLLED DOCUMENT.

DWN: JR RUTH 7/14/89
 CHK: MS FEHER 7/14/89
 APVD: -

Tyco Electronics Tyco Electronics Corporation
 Harrisburg, PA 17105-3608

RECEPTACLE, FASTON, .187 SERIES

SIZE: A3 CAGE CODE: 00779 DRAWING NO: 60487 RESTRICTED TO: -

WEIGHT: -

CUSTOMER DRAWING SCALE: 5:1 SHEET: 1 OF 1 REV: M2

DIMENSIONS: INCHES TOLERANCES UNLESS OTHERWISE SPECIFIED:
 0 PLC ± -
 1 PLC ± -
 2 PLC ± -
 3 PLC ± .015
 4 PLC ± -
 ANGLES ± -

MATERIAL: SEE TABLE FINISH: SEE TABLE