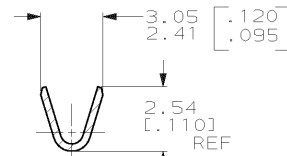
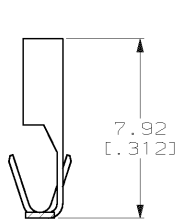
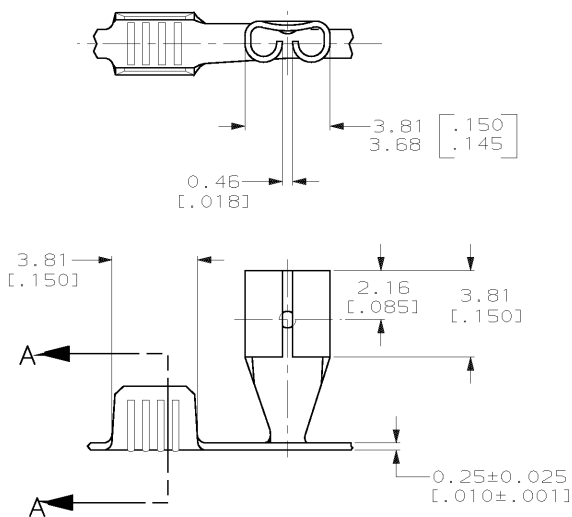


DRAWING MADE IN THIRD ANGLE PROJECTION

THIS DRAWING IS UNPUBLISHED. RELEASED FOR PUBLICATION, 1999  
 © COPYRIGHT 1999 BY AMP INCORPORATED. ALL INTERNATIONAL RIGHTS RESERVED.

LOC	DIST	P	F	ZONE	LTR	REVISIONS	DATE	APPD
AF	50				H	REV PER 0G3A-0076-99	30JUL99	JR/SH

1 CONTINUOUS STRIP ON REELS.



SECTION A-A

5.59 [.220]		F	1.78 [.070]	1.42 [.056]	16	DO NOT SCALE PRINT. UNLESS SPECIFIED DIMENSIONS IN MM (INCHES) TOLERANCES ON: 2. PLC DEC ± 0.38 (.015) 3. PLC DEC ± - ANGLES ± -	DR 4/18/96 JR RUTH	AMP Incorporated Harrisburg, PA 17105-3608  NAME RECEPTACLE, FASTON, 2.79 [.110] SERIES	
±0.38 [.015]				1.19 [.047]	18		CHK 4/18/96 MS FEHER		SIZE
WIRE BARREL CRIMP				1.04 [.041]	20		APPD 4/18/96 P DESANTIS		CAGE CODE
				0.96 [.038]	22		APPD 4/18/96 V KARABCIEVSKY		DRAWING NO
				±0.051 [.002]		MATERIAL H04 BRASS	APPLICATION SPEC	00779	
						FINISH PRE-TIN	114-2028	©=61549	
							WEIGHT -	SCALE 6:1	
								SHEET 1 OF 1	

THIS DRAWING IS A CONTROLLED DOCUMENT FOR AMP INCORPORATED. IT IS SUBJECT TO CHANGE AND THE CONTROLLING ENGINEERING ORGANIZATION SHOULD BE CONTACTED FOR THE LATEST REVISION.