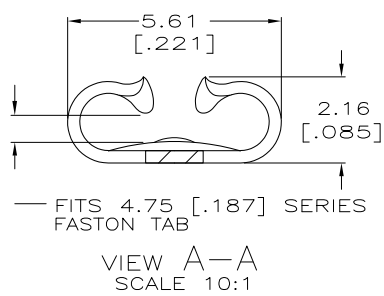
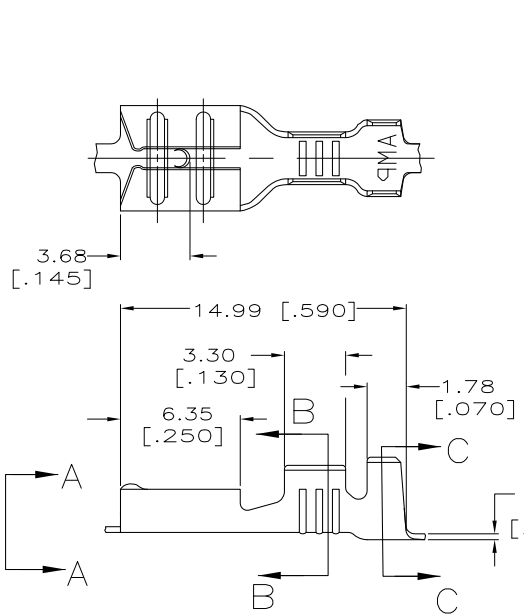
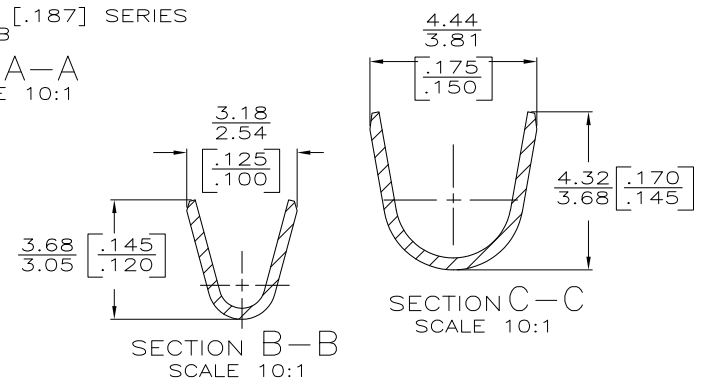


THIS DRAWING IS UNPUBLISHED. RELEASED FOR PUBLICATION
 © COPYRIGHT - By - ALL RIGHTS RESERVED.

LOC	DIST	REVISIONS					
AF	50	P	LTR	DESCRIPTION	DATE	DWN	APVD
		M1		REVISED PER ECO-11-005027	14MAR11	RK	HMR



- 1 CONTINUOUS STRIP ON REELS
- 2 TIN PLATE 0.002032 [.000080] MIN THK.



TIN	2.29-3.30 [.090-.130]	0.5-1.3mm ² [20-16] AWG	0.51 [.020]	42801-2 42801-1
FINISH	INSULATION RANGE	WIRE SIZE	MATING TAB THK ±0.025 [.001]	PART NO.

THIS DRAWING IS A CONTROLLED DOCUMENT.		DWN	JR RUTH	1/24/91	TE Connectivity RECEPTACLE, FASTON™ 4.75 [.187] SERIES
DIMENSIONS: mm(INCHES)		CHK	P FORTNEY	1/25/91	
TOLERANCES UNLESS OTHERWISE SPECIFIED:		APVD	C MEYERS	1/25/91	
0 PLC ± - 1 PLC ± - 2 PLC ± 0.38 [.015] 3 PLC ± - 4 PLC ± - ANGLES ± -		NAME			
MATERIAL	#4H BRASS	FINISH	SEE TABLE	WEIGHT	-
CUSTOMER DRAWING				SCALE	5:1
				SHEET	1 of 1
				REV	M1