

4

3

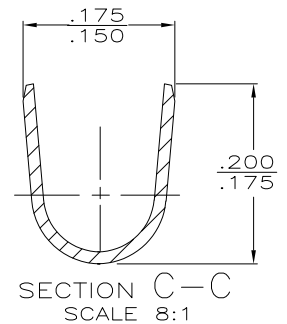
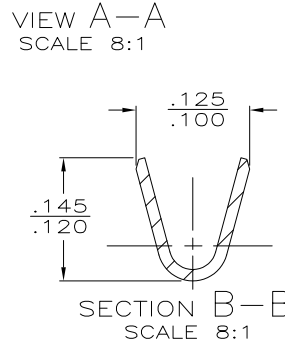
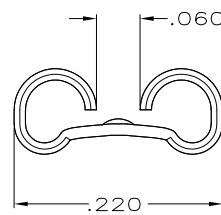
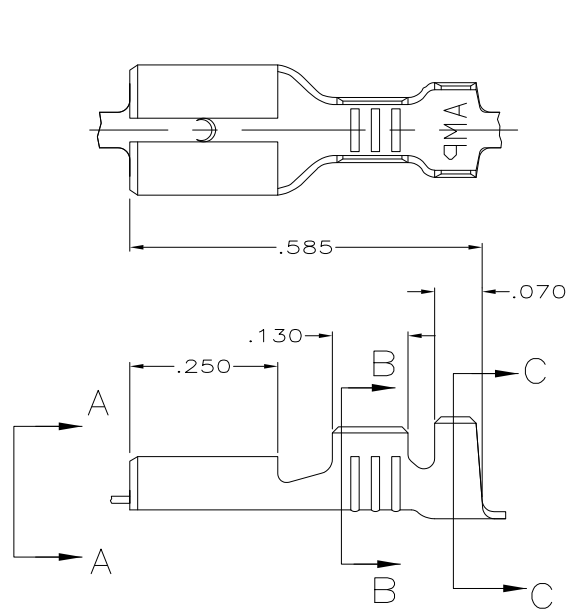
2

1

THIS DRAWING IS UNPUBLISHED. RELEASED FOR PUBLICATION  
 © COPYRIGHT - By - ALL RIGHTS RESERVED.

LOC	DIST	REVISIONS				
P	LTR	DESCRIPTION	DATE	DWN	APVD	
AF	50	W1	REVISED PER ECO-11-005027	11MAR11	RK HMR	

- 1 CONTINUOUS STRIP ON REELS
- 2 MATING TAB THK IS  $.020 \pm .001$
- 3 WIRE SIZE IS #20-#16 AWG
- 4 INSULATION RANGE IS  $.090 - .130$  DIA



TIN	#4H BRASS	60214-2
-	#4H BRASS	60214-1
FINISH	MATERIAL	PART NO.

THIS DRAWING IS A CONTROLLED DOCUMENT.		DWN	JR RUTH	10/27/89	 TE Connectivity NAME RECEPTACLE, FASTON, .187 SERIES - SIZE CAGE CODE DRAWING NO RESTRICTED TO A3 00779 C-60214 - WEIGHT - CUSTOMER DRAWING SCALE 6:1 SHEET 1 OF 1 REV W1
DIMENSIONS:	TOLERANCES UNLESS OTHERWISE SPECIFIED:	CHK	MS FEHER	10/27/89	
INCHES		APVD	C MEYERS	10/27/89	
	0 PLC ± - 1 PLC ± - 2 PLC ± - 3 PLC ± .015 4 PLC ± - ANGLES ± -	PRODUCT SPEC	-	-	
MATERIAL	FINISH	APPLICATION SPEC	-	-	
SEE TABLE	SEE TABLE	WEIGHT	-	-	