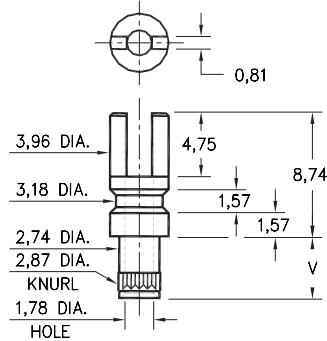


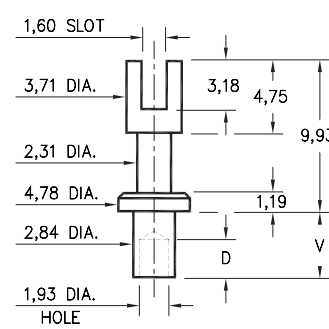
## 2715



**2715-X-01-XX-00-00-07-0**  
Swage mount in 2,95 hole

- X -	Board Thickness	Length V
2	1,57	2,77
3	2,39	3,58
4	3,18	4,37

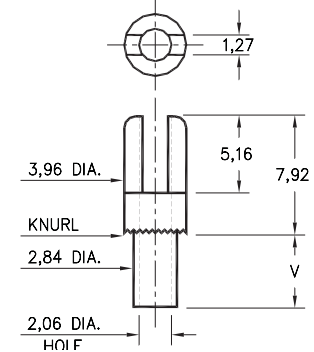
## 2809



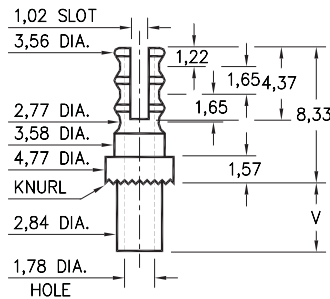
**2809-X-01-XX-00-00-07-0**  
Swage mount in 2,95 hole

- X -	Board Thickness	Length V	Depth D
1	0,79	1,98	1,73
2	1,57	2,76	
3	2,39	3,58	2,49
4	3,18	4,36	

## 2701/2808



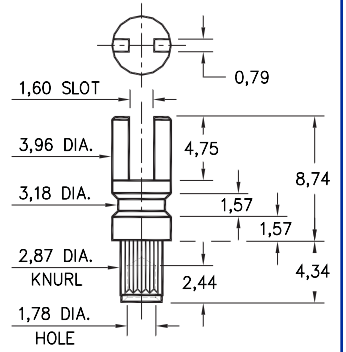
**2701-X-01-XX-00-00-07-0**  
Swage mount in 2,95 hole



**2808-X-01-XX-00-00-07-0**  
Swage mount in 2,95 hole

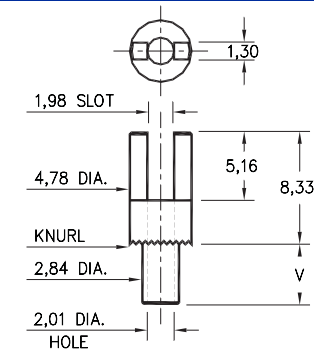
- X -	Board Thickness	Length V
1	0,79	1,91
2	1,57	2,67
3	2,39	3,43
4	3,18	4,19

## 2762



**2762-4-01-XX-00-00-07-0**  
Swage mount in 2,95 hole  
For 3,18 thick board

## 2807



**2807-X-01-XX-00-00-07-0**  
Swage mount in 2,95 hole

- X -	Board Thickness	Length V
1	0,79	1,98
2	1,57	2,77
3	2,39	3,56
4	3,18	4,34

### SPECIFICATIONS

**PIN MATERIAL:**  
Brass Alloy 360, 1/2 Hard  
Swage pins are annealed

**DIMENSION IN INCHES**  
**TOLERANCES ON:**  
LENGTHS:  $\pm 0,13$   
DIAMETERS:  $\pm 0,05$   
ANGLES:  $\pm 2^\circ$

**ORDER CODE: XXXX - X - 01 - XX - 00 - 00 - 07 - 0**

**BASIC PART #**

**SPECIFY PIN FINISH:**

- 01 5,08 $\mu$ m TIN/LEAD OVER NICKEL
- ◇ 80 5,08 $\mu$ m TIN OVER NICKEL (RoHS)
- ◇ 44 7,62 $\mu$ m SILVER OVER COPPER (RoHS)
- ◇ 50 7,62 $\mu$ m ELECTRO-SOLDER (RoHS)  
(60/40 SnPb)

