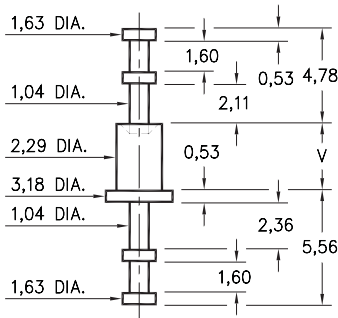


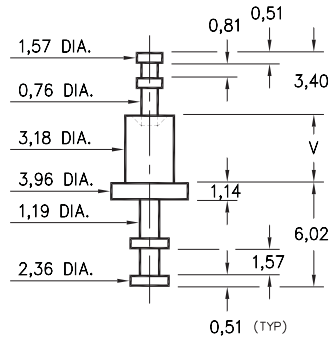
2512



- X -	Board Thickness	Length V
1	0,79	1,57
2	1,57	2,39
3	2,39	3,18
4	3,18	3,96

2512-X-00-XX-00-00-07-0
Swage mount in 2,39 hole

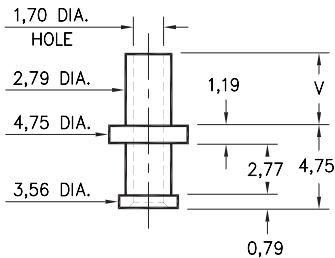
2705



- X -	Board Thickness	Length V
1	0,79	1,91
2	1,57	2,67
3	2,39	3,43
4	3,18	4,19

2705-X-00-XX-00-00-07-0
Swage mount in 3,28 hole

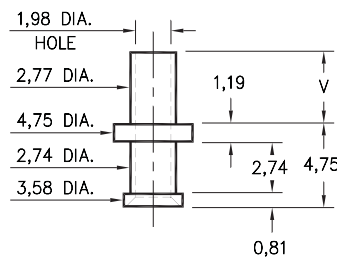
2803



- X -	Board Thickness	Length V
1	0,79	1,98
2	1,57	2,77
3	2,39	3,56
4	3,18	4,34

2803-X-00-XX-00-00-07-0
Swage mount in 2,87 hole

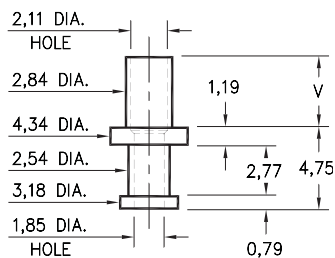
2815



- X -	Board Thickness	Length V
1	0,79	1,91
2	1,57	2,67
3	2,39	3,43
4	3,18	4,19

2815-X-00-XX-00-00-07-0
Swage mount in 2,87 hole

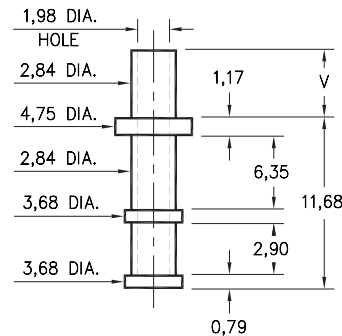
2816



- X -	Board Thickness	Length V
1	0,79	1,98
2	1,57	2,77
3	2,39	3,58
4	3,18	4,37

2816-X-00-XX-00-00-07-0
Swage mount in 2,95 hole

2817



- X -	Board Thickness	Length V
1	0,79	1,91
2	1,57	2,67
3	2,39	3,43
4	3,18	4,19

2817-X-00-XX-00-00-07-0
Swage mount in 2,95 hole

SPECIFICATIONS

PIN MATERIAL:
Brass Alloy 360, 1/2 Hard
Swage pins are annealed

DIMENSION IN INCHES
TOLERANCES ON:
LENGTHS: ±0,13
DIAMETERS: ±0,05
ANGLES: ± 2°

ORDER CODE: XXXX - X - 00 - XX - 00 - 00 - 07 - 0

BASIC PART #

SPECIFY PIN FINISH:

- 01 5,08µm TIN/LEAD OVER NICKEL
- ◇ 80 5,08µm TIN OVER NICKEL (RoHS)
- ◇ 44 7,62µm SILVER OVER COPPER (RoHS)
- ◇ 50 7,62µm ELECTRO-SOLDER (RoHS) (60/40 SnPb)

