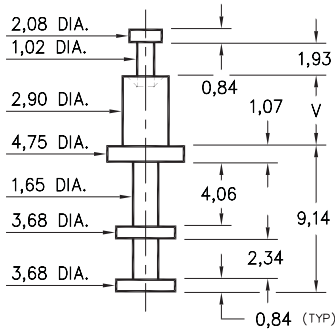


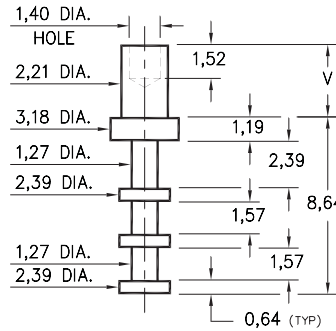
2810



2810-X-00-XX-00-00-07-0
Swage mount in 3,0 hole

- X -	Board Thickness	Length V
2	1,57	2,67
3	2,39	3,43
4	3,18	4,19

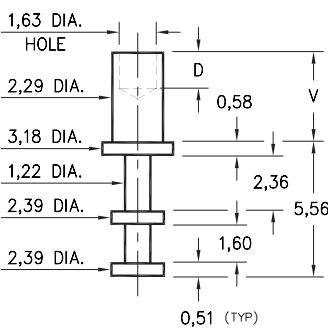
2524



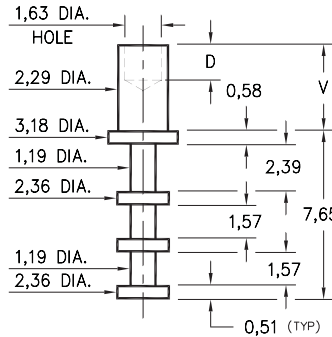
2524-X-00-XX-00-00-07-0
Swage mount in 2,34 hole

- X -	Board Thickness	Length V
1	0,79	1,91
2	1,57	2,67
3	2,39	3,43
4	3,18	4,19

2561/2508



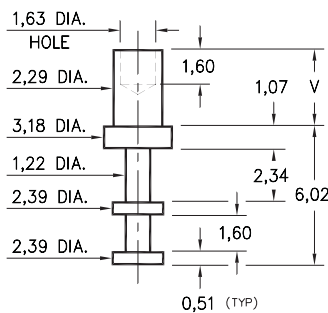
2561-X-00-XX-00-00-07-0
Swage mount in 2,39 hole



2508-X-00-XX-00-00-07-0
Swage mount in 2,39 hole

- X -	Board Thickness	Length V	Depth D
1	0,79	1,60	1,19
2	1,57	2,39	1,57
3	2,39	3,18	
4	3,18	3,96	

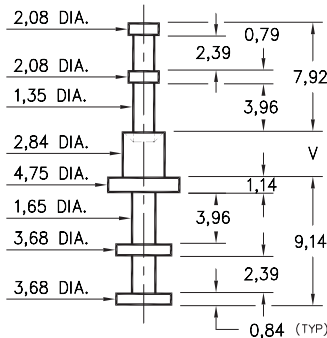
2551



2551-X-00-XX-00-00-07-0
Swage mount in 2,39 hole

- X -	Board Thickness	Length V
1	0,79	1,91
2	1,57	2,67
3	2,39	3,43
4	3,18	4,19

2812



2812-X-00-XX-00-00-07-0
Swage mount in 2,95 hole

- X -	Board Thickness	Length V
1	1,57	2,67
2	2,39	3,43
3	3,18	4,19
4	4,78	5,84

SPECIFICATIONS

PIN MATERIAL:
Brass Alloy 360, 1/2 Hard
Swage pins are annealed

DIMENSION IN INCHES
TOLERANCES ON:
LENGTHS: ±0,13
DIAMETERS: ±0,05
ANGLES: ± 2°

ORDER CODE: XXXX - X - 00 - XX - 00 - 00 - 07 - 0

BASIC PART #

SPECIFY PIN FINISH:

- 01 5,08µm TIN/LEAD OVER NICKEL
- ◇ 80 5,08µm TIN OVER NICKEL (RoHS)
- ◇ 44 7,62µm SILVER OVER COPPER (RoHS)
- ◇ 50 7,62µm ELECTRO-SOLDER (RoHS) (60/40 SnPb)

