

2810



2810-X-00-XX-00-00-07-0
Swage mount in .118 hole

- X -	Board Thickness	Length V
2	.062	.105
3	.094	.135
4	.125	.165

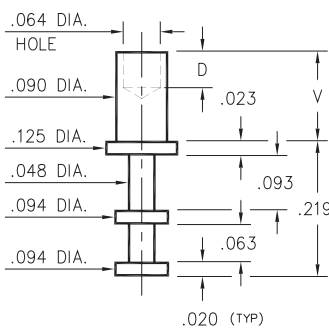
2524



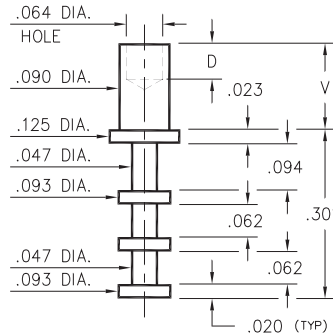
2524-X-00-XX-00-00-07-0
Swage mount in .092 hole

- X -	Board Thickness	Length V
1	.031	.075
2	.062	.105
3	.094	.135
4	.125	.165

2561/2508



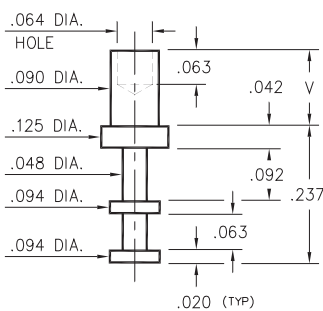
2561-X-00-XX-00-00-07-0
Swage mount in .094 hole



2508-X-00-XX-00-00-07-0
Swage mount in .094 hole

- X -	Board Thickness	Length V	Depth D
1	.031	.063	.047
2	.062	.094	.062
3	.094	.125	
4	.125	.156	

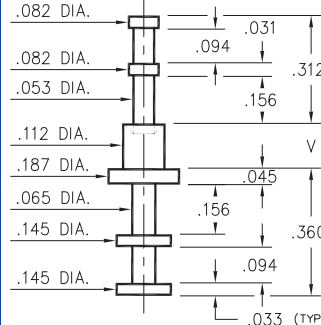
2551



2551-X-00-XX-00-00-07-0
Swage mount in .094 hole

- X -	Board Thickness	Length V
1	.031	.075
2	.062	.105
3	.094	.135
4	.125	.165

2812



2812-X-00-XX-00-00-07-0
Swage mount in .116 hole

- X -	Board Thickness	Length V
1	.062	.105
2	.094	.135
3	.125	.165
4	.188	.230

SPECIFICATIONS

PIN MATERIAL:
Brass Alloy 360, 1/2 Hard
Swage pins are annealed

DIMENSION IN INCHES
TOLERANCES ON:
LENGTHS: ±.005
DIAMETERS: ±.002
ANGLES: ± 2°

ORDER CODE: XXXX - X - 00 - XX - 00 - 00 - 07 - 0

BASIC PART #

SPECIFY PIN FINISH:

- 01 200μ" TIN/LEAD OVER NICKEL
- ◇ 80 200μ" TIN OVER NICKEL (RoHS)
- ◇ 44 300μ" SILVER OVER COPPER (RoHS)
- ◇ 50 300μ" ELECTRO-SOLDER (RoHS) (60/40 SnPb)

