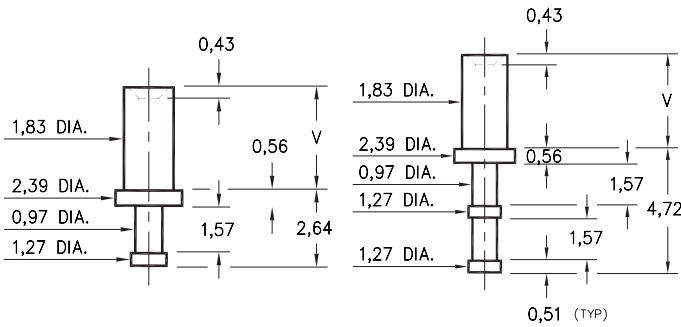


2304/2305

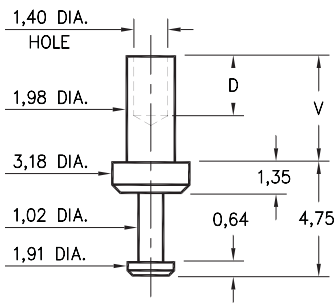


- X -	Board Thickness	Length V
1	0,79	1,30
2	1,57	2,08
3	2,39	2,87
4	3,18	3,68

2304-X-00-XX-00-00-07-0
Swage mount in 1,93 hole

2305-X-00-XX-00-00-07-0
Swage mount in 1,93 hole

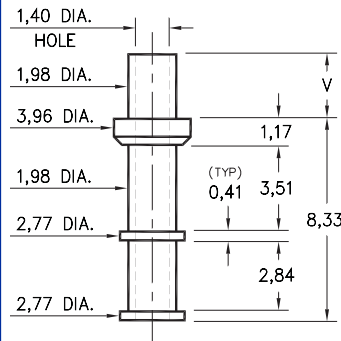
2503



- X -	Board Thickness	Length V	Depth D
1	0,79	1,98	1,72
2	1,57	2,77	2,49
3	2,39	3,58	
4	3,18	4,37	

2503-X-00-XX-00-00-07-0
Swage mount in 2,08 hole

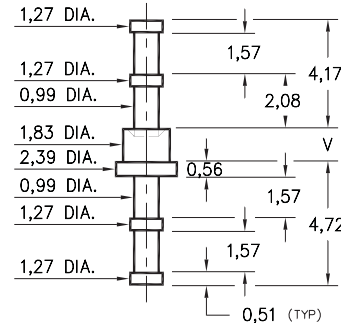
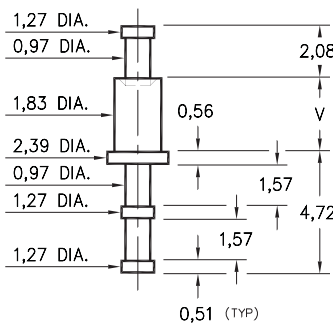
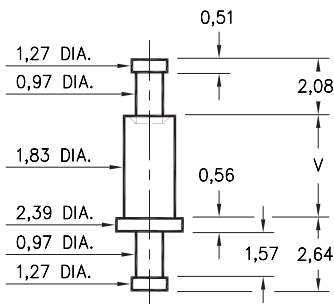
2704



- X -	Board Thickness	Length V
1	0,79	1,91
2	1,57	2,67
3	2,39	3,43
4	3,18	4,19

2704-X-00-XX-00-00-07-0
Swage mount in 2,08 hole

2306/2307/2311



- X -	Board Thickness	Length V
1	0,79	1,30
2	1,57	2,08
3	2,39	2,87
4	3,18	3,68

2306-X-00-XX-00-00-07-0
Swage mount in 1,93 hole

2307-X-00-XX-00-00-07-0
Swage mount in 1,93 hole

2311-X-00-XX-00-00-07-0
Swage mount in 1,93 hole

SPECIFICATIONS

PIN MATERIAL:
Brass Alloy 360, 1/2 Hard
Swage pins are annealed

DIMENSION IN INCHES
TOLERANCES ON:
LENGTHS: ±0,13
DIAMETERS: ±0,05
ANGLES: ± 2°

ORDER CODE: XXXX - X - 00 - XX - 00 - 00 - 07 - 0

BASIC PART #

SPECIFY PIN FINISH:

- 01 5,08µm TIN/LEAD OVER NICKEL
- ◇ 80 5,08µm TIN OVER NICKEL (RoHS)
- ◇ 44 7,62µm SILVER OVER COPPER (RoHS)
- ◇ 50 7,62µm ELECTRO-SOLDER (RoHS) (60/40 SnPb)

