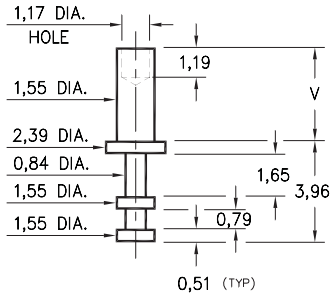
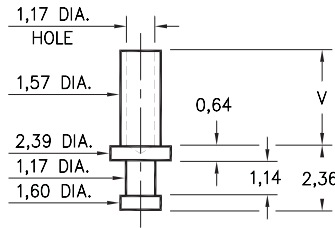


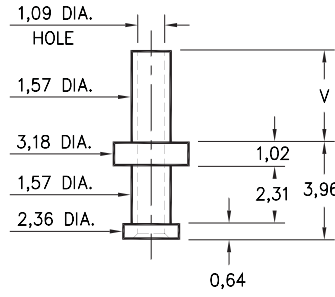
## 2348/2301/2506



**2348-X-00-XX-00-00-07-0**  
Swage mount in 1,63 hole



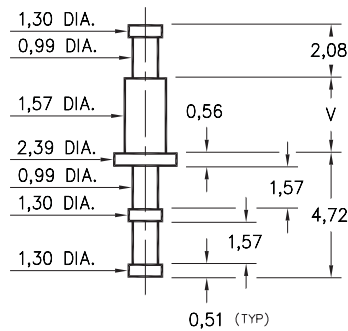
**2301-X-00-XX-00-00-07-0**  
Swage mount in 1,70 hole



**2506-X-00-XX-00-00-07-0**  
Swage mount in 1,70 hole

- X -	Board Thickness	Length V
1	0,79	1,35
2	1,57	2,13
3	2,39	2,92
4	3,18	3,73

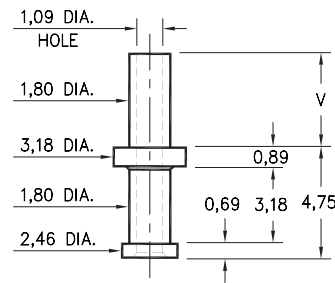
## 2310



**2310-X-00-XX-00-00-07-0**  
Swage mount in 1,70 hole

- X -	Board Thickness	Length V
1	0,79	1,35
2	1,57	2,08
3	2,39	2,87
4	3,18	3,68

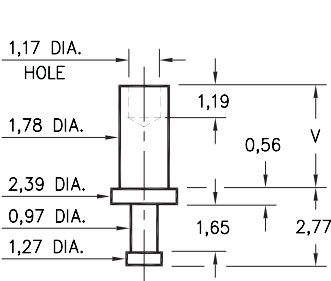
## 2505



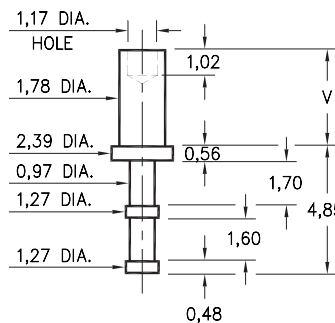
**2505-X-00-XX-00-00-07-0**  
Swage mount in 1,93 hole

- X -	Board Thickness	Length V
1	0,79	1,57
2	1,57	2,36
3	2,39	3,18
4	3,18	3,96

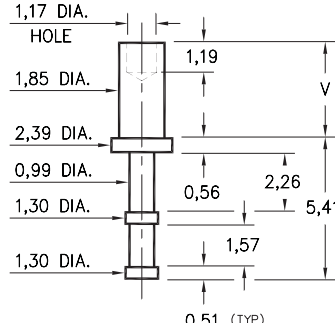
## 2325/2355/2365



**2325-X-00-XX-00-00-07-0**  
Swage mount in 1,85 hole



**2355-X-00-XX-00-00-07-0**  
Swage mount in 1,85 hole



**2365-X-00-XX-00-00-07-0**  
Swage mount in 1,93 hole

- X -	Board Thickness	Length V
1	0,79	1,35
2	1,57	2,13
3	2,39	2,92
4	3,18	3,73

### SPECIFICATIONS

**PIN MATERIAL:**  
Brass Alloy 360, 1/2 Hard  
Swage pins are annealed

**DIMENSION IN INCHES**  
**TOLERANCES ON:**  
LENGTHS: ±0,13  
DIAMETERS: ±0,05  
ANGLES: ± 2°

**ORDER CODE: XXXX - X - 00 - XX - 00 - 00 - 07 - 0**

**BASIC PART #**

**SPECIFY PIN FINISH:**

- 01 5,08µm TIN/LEAD OVER NICKEL
- ◇ 80 5,08µm TIN OVER NICKEL (RoHS)
- ◇ 44 7,62µm SILVER OVER COPPER (RoHS)
- ◇ 50 7,62µm ELECTRO-SOLDER (RoHS) (60/40 SnPb)

