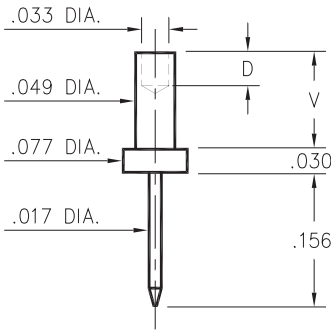


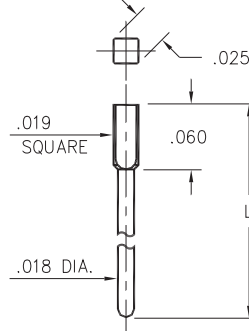
3116



Basic Part Number	Board Thickness	Length V	Length D
3116-1	.031	.051	.035
3116-2	.062	.082	.062
3116-3	.094	.113	.062
3116-4	.125	.145	.062

3116-X-00-XX-00-00-08-0
Swage mount in .052 hole

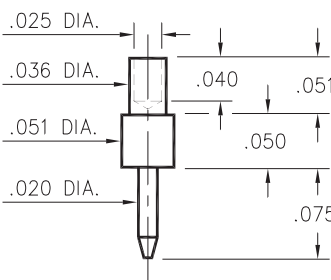
5435



Basic Part Number	Length L
5435-0	.303
5435-1	.200
5435-2	.413

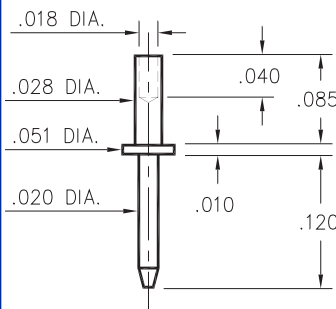
5435-X-05-XX-00-00-03-0
Square press-fit in .022 plated thru hole

3135



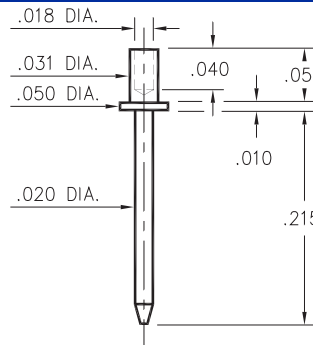
3135-1-00-XX-00-00-08-0
Swage mount in .040 hole.
For .031 thick board.

3210



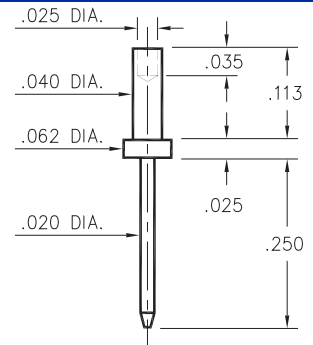
3210-2-00-XX-00-00-08-0
Swage mount in .031 hole.
For .062 thick board.

3129



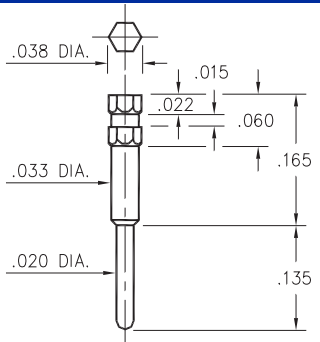
3129-1-00-XX-00-00-08-0
Swage mount in .035 hole.
For .031 thick board.

3147



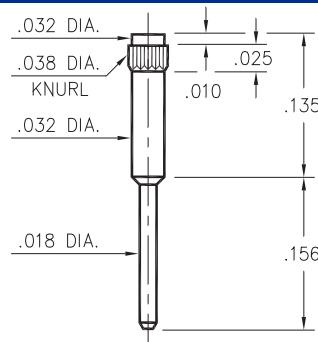
3147-3-00-XX-00-00-08-0
Swage mount in .043 hole.
For .094 thick board.

4366



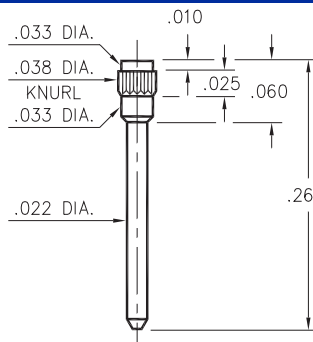
4366-0-00-XX-00-00-03-0
Hex press-fit in .034 plated thru hole

1267



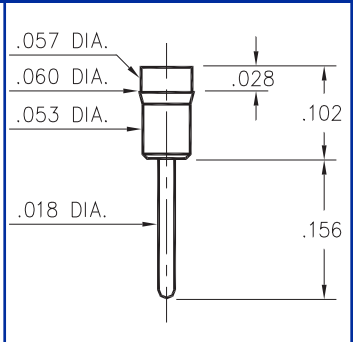
1267-0-00-XX-00-00-03-0
Press-fit in .035 mounting hole

7827



7827-0-00-XX-00-00-03-0
Press-fit in .035 mounting hole

1130



1130-0-00-XX-00-00-03-0
Press-fit in .057 mounting hole
Pin material is Ph Br. 544 (B2)

SPECIFICATIONS

PIN MATERIAL:
Brass Alloy 360, 1/2 Hard
(Except Swage pins which are annealed)

DIMENSION IN INCHES
TOLERANCES ON:
LENGTHS: ±.005
DIAMETERS: ±.002
ANGLES: ± 2°

ORDER CODE: XXXX - X - 0X - XX - 00 - 00 - XX - 0

BASIC PART #

SPECIFY PIN FINISH:

- 01 200µ" TIN/LEAD OVER NICKEL
- ◇ 80 200µ" TIN OVER NICKEL (RoHS)
- ◇ 15 10µ" GOLD OVER NICKEL (RoHS)
- ◇ 21 20µ" GOLD OVER NICKEL (RoHS)
- ◇ 34 50µ" GOLD OVER NICKEL (RoHS)

