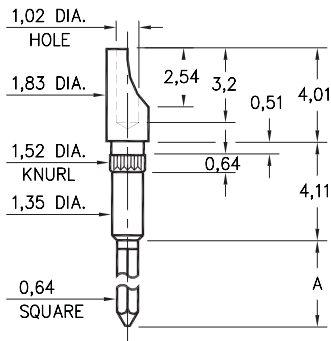


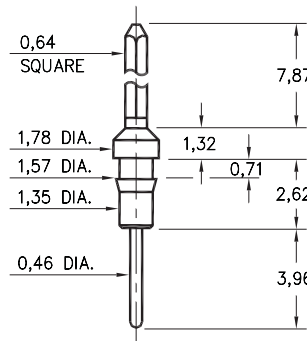
### 8301



Basic Part Number	# of Wraps	Wrap Length A
8301-2	2	9,40
8301-3	3	12,95

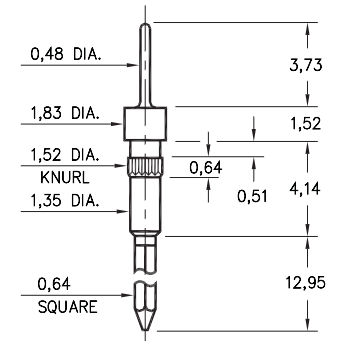
**8301-X-24-XX-00-00-01-0**  
Press-fit in 1,45 mounting hole

### 1083



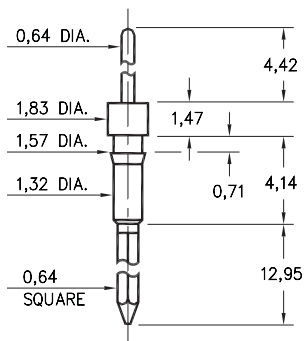
**1083-0-05-XX-00-00-01-0**  
Press-fit in 1,50 mounting hole

### 5301



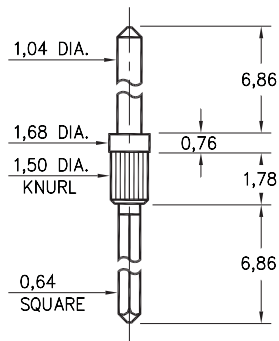
**5301-0-05-XX-00-00-01-0**  
Press-fit in 1,45 mounting hole

### 1090



**1090-0-05-XX-00-00-01-0**  
Press-fit in 1,50 mounting hole

### 8608



**8608-0-05-XX-00-00-01-0**  
Press-fit in 1,42 mounting hole

#### SPECIFICATIONS

**PIN MATERIAL:**  
Brass Alloy 360, 1/2 Hard

**DIMENSION IN INCHES**  
**TOLERANCES ON:**  
LENGTHS: ±0,13  
DIAMETERS: ±0,05  
ANGLES: ± 2°

**ORDER CODE: XXXX - X - XX - XX - 00 - 00 - 01 - 0**

**BASIC PART #**

**SPECIFY PIN FINISH:**

- 01 5,08µm TIN/LEAD OVER NICKEL
- ◇ 80 5,08µm TIN OVER NICKEL (RoHS)
- ◇ 15 0,25µm GOLD OVER NICKEL (RoHS)
- ◇ 21 0,51µm GOLD OVER NICKEL (RoHS)

