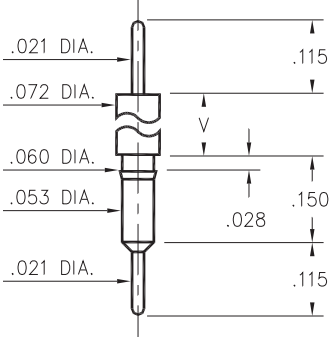


### 3406



Basic Part Number	Shoulder Height V
3406-0	.350

**340X-0-00-XX-00-00-03-0**  
Press-fit in .057 mounting hole

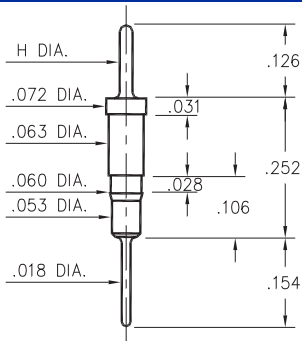
### 0315



Basic Part Number	Head Height K	Stand-off Height S
0315-0	.030	.190
0315-1	.040	.430

**0315-X-00-XX-00-00-03-0**  
Press-fit in .057 mounting hole  
Pin material is Ph Br 544 (B2)

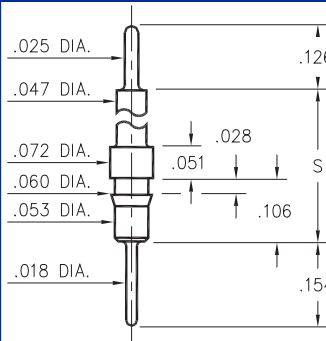
### 5503/5509



Basic Part Number	Pin Diameter H
5503-0	.025
5509-0	.018

**550X-0-00-XX-00-00-03-0**  
Press-fit in .057 mounting hole

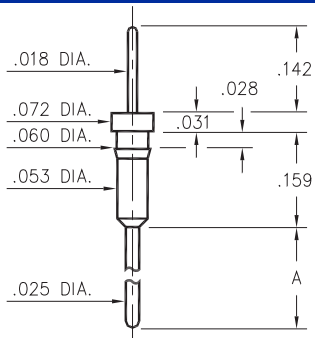
### 5504/5505



Basic Part Number	Standoff Height S
5504-0	.331
5505-0	.606

**550X-0-00-XX-00-00-03-0**  
Press-fit in .057 mounting hole

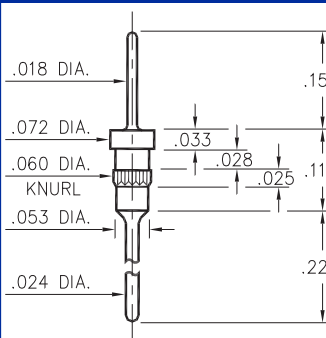
### 3409



Basic Part Number	Pin Length A
3409-1	.210
3409-2	.420

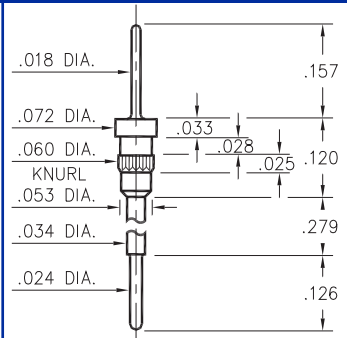
**3409-X-00-XX-00-00-03-0**  
Press-fit in .057 mounting hole

### 5011



**5011-0-00-XX-00-00-03-0**  
Press-fit in .057 mounting hole

### 5113



**5113-0-00-XX-00-00-03-0**  
Press-fit in .057 mounting hole

#### SPECIFICATIONS

**PIN MATERIAL:**  
Brass Alloy 360, 1/2 Hard  
(Except where noted)

**DIMENSION IN INCHES**  
**TOLERANCES ON:**  
LENGTHS: ±.005  
DIAMETERS: ±.002  
ANGLES: ± 2°



**ORDER CODE: XXXX - X - 00 - XX - 00 - 00 - 03 - 0**

**BASIC PART #**

**SPECIFY PIN FINISH:**

- 01 200µ" TIN/LEAD OVER NICKEL
- ◇ 80 200µ" TIN OVER NICKEL (RoHS)
- ◇ 15 10µ" GOLD OVER NICKEL (RoHS)
- ◇ 21 20µ" GOLD OVER NICKEL (RoHS)
- ◇ 34 50µ" GOLD OVER NICKEL (RoHS)