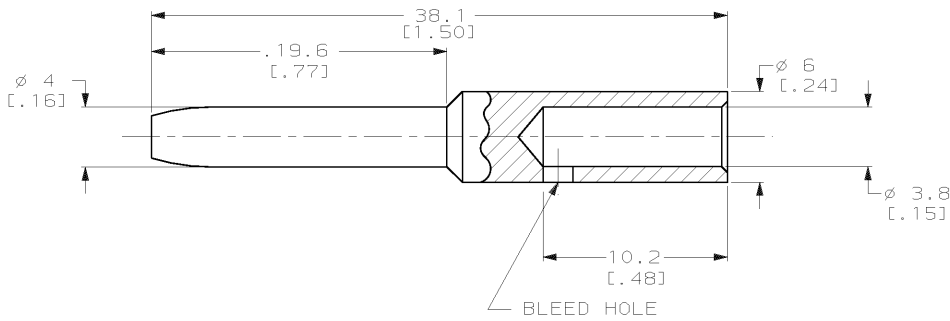


DRAWING MADE IN THIRD ANGLE PROJECTION

THIS DRAWING IS UNPUBLISHED. RELEASED FOR PUBLICATION, 19 .
 © COPYRIGHT 19 BY AMP INCORPORATED. ALL INTERNATIONAL RIGHTS RESERVED.

LOC	DIST	REVISIONS			
ZONE	LTR	DESCRIPTION	DATE	APPD	
CH	11	B	ECN96050201 RE-ACTIVATE	05/MAY/96	-



WAS 09028

METRIC

192179-1

PART NO

DO NOT SCALE PRINT. UNLESS SPECIFIED DIMENSIONS IN mm [INCHES] TOLERANCES ON: 1. PLC DEC ± 0.5 (.02) 2. PLC DEC ± 0.25 (.010) ANGLES \pm -	DR RA JAYNE 6-10-91
MATERIAL TeCu	CHK - APPD - APPD - PRODUCT SPEC - APPLICATION SPEC - WEIGHT -

AMP AMP Incorporated
Harrisburg, PA 17105-3608

NAME
PIN, 4mm

SIZE B	CAGE CODE 00779	DRAWING NO 192179
SCALE 4:1	SHEET 1 OF 1	

CUSTOMER DRAWING