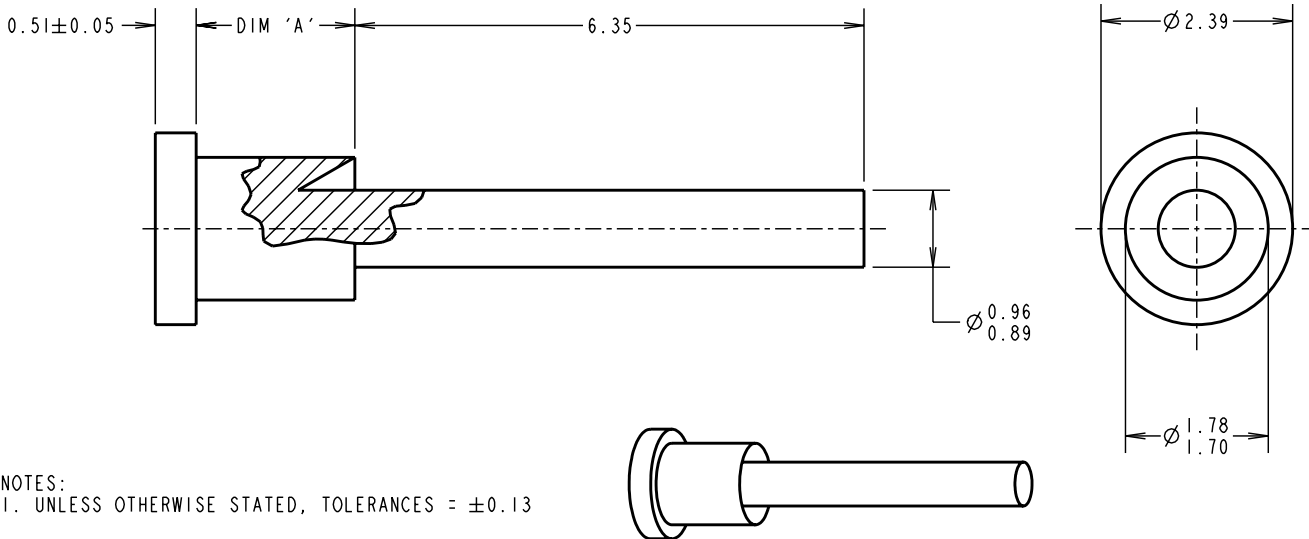


Customer Information Sheet

DRAWING No.: H2101B01 - H2103B01 SHEET 2 OF 2 IF IN DOUBT - ASK © NOT TO SCALE THIRD ANGLE PROJECTION ALL DIMENSIONS IN mm



NOTES:
1. UNLESS OTHERWISE STATED, TOLERANCES = ±0.13

PART No.	DIM 'A'	HOLE SIZE	BOARD THICKNESS	PUNCH AND DIE TOOL
H2101B01	1.98 / 2.10	Ø 1.79 / 1.87mm	1.60mm	Z2101B00
H2102B01	2.79 / 2.91	Ø 1.79 / 1.87mm	2.40mm	Z2102B00
H2103B01	3.56 / 3.68	Ø 1.79 / 1.87mm	3.20mm	Z2103B00

CP	14	16.11.09	10569
NAME	ISS.	DATE	C/NOTE
APPROVED: C.PENROSE			
CHECKED: R.ADDE			
DRAWN: JM BROOKES			
CUSTOMER REF.:			
ASSEMBLY DRG:			

HARWIN

HARWIN USA TEL: 603 893 5376 FAX: 603 893 5396 mis@harwin.com	HARWIN Europe (UK) TEL: 023 9231 4545 FAX: 023 9231 4590 mis@harwin.co.uk	HARWIN Asia TEL: +65 6 779 4909 FAX: +65 6 779 3868 mis@harwin.com.sg
--	--	--

THIS DRAWING AND ANY INFORMATION OR DESCRIPTIVE MATTER SET OUT HEREON ARE CONFIDENTIAL AND COPYRIGHT PROPERTY OF THE HARWIN GROUP AND MUST NOT BE DISCLOSED, LOANED, COPIED OR USED FOR MANUFACTURING, TENDERING OR FOR ANY OTHER PURPOSE WITHOUT THEIR WRITTEN PERMISSION.

~~TOLERANCES~~
~~X = ±1mm~~
~~X.X = ±0.25mm~~
~~X.XX = ±0.10mm~~
~~X.XXX = ±0.01mm~~
~~ANGLES = ±5°~~
 UNLESS STATED

MATERIAL: ANNEALED BRASS
CW614N M TO BS EN 12164
FINISH: 100% TIN OVER NICKEL
S/AREA: mm²

TITLE: TERMINAL
DRAWING NUMBER: H2101B01 - H2103B01
SHT 2 OF 2