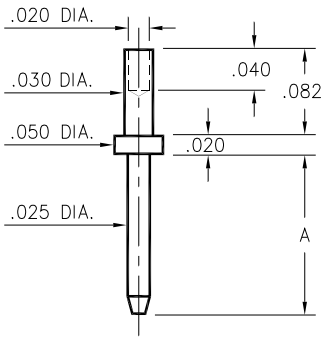


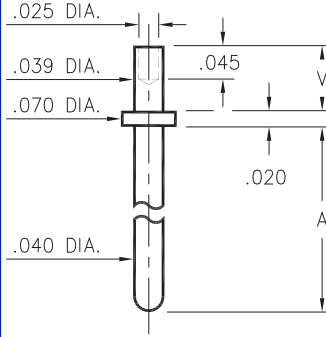
3120



| Basic Part Number | Length A |
|-------------------|----------|
| 3120-1 | .205 |
| 3120-2 | .250 |

3120-X-00-XX-00-00-08-0
Swage mount in .034 mounting hole

3122 ⇒ 3153

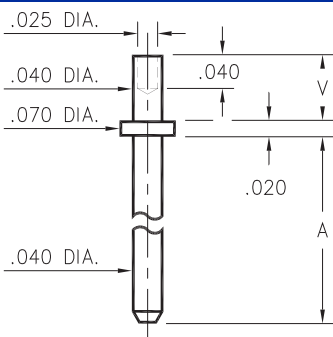


| Basic Part Number | Pin Length A |
|-------------------|--------------|
| 3153-X | .180 |
| 3141-X | .230 |
| 3122-X | .280 |
| 3149-X | .380 |
| 3123-X | .580 |
| 3140-X | .780 |
| 3124-X | .880 |

| - X - | Board Thickness | Length V |
|-------|-----------------|----------|
| 1 | .031 | .051 |
| 2 | .062 | .082 |

31XX-X-00-XX-00-00-08-0
Swage mount in .043 hole

3101 ⇒ 3106

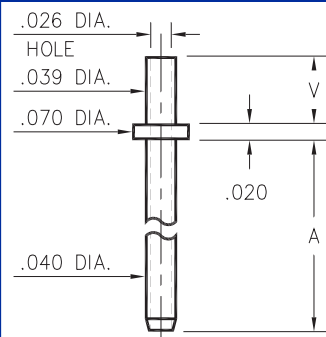


| Basic Part Number | Pin Length A |
|-------------------|--------------|
| 3101-X | .150 |
| 3102-X | .188 |
| 3103-X | .300 |
| 3104-X | .500 |
| 3105-X | .750 |
| 3106-X | 1.000 |

| - X - | Board Thickness | Length V |
|-------|-----------------|----------|
| 1 | .031 | .051 |
| 2 | .062 | .082 |
| 3 | .094 | .113 |

310X-X-00-XX-00-00-08-0
Swage mount in .043 hole

3221 ⇒ 3223

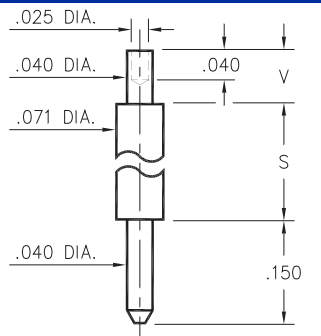


| Basic Part Number | Pin Length A |
|-------------------|--------------|
| 3221-X | .100 |
| 3222-X | .150 |
| 3223-X | .300 |

| - X - | Board Thickness | Length V |
|-------|-----------------|----------|
| 1 | .031 | .051 |
| 2 | .062 | .082 |
| 3 | .094 | .113 |

322X-X-00-XX-00-00-08-0
Swage mount in .043 hole

3125/3126

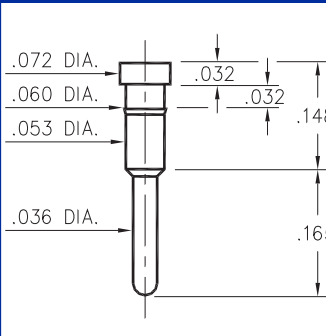


| Basic Part Number | Pin Length S |
|-------------------|--------------|
| 3125-X | .170 |
| 3126-X | .420 |

| - X - | Board Thickness | Length V |
|-------|-----------------|----------|
| 1 | .031 | .051 |
| 2 | .062 | .082 |
| 3 | .094 | .113 |

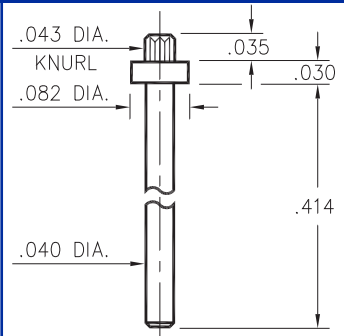
312X-X-00-XX-00-00-08-0
Swage mount in .043 hole

0995



0995-0-00-XX-00-00-03-0
Press-fit in .057 mounting hole

4526



4526-0-00-XX-00-00-03-0
Press-fit in .040 mounting hole

SPECIFICATIONS

PIN MATERIAL:
Brass Alloy 360, 1/2 Hard
(Except Swage pins which are annealed)

DIMENSION IN INCHES
TOLERANCES ON:
LENGTHS: ±.005
DIAMETERS: ±.002
ANGLES: ± 2°



ORDER CODE: XXXX - X - 00 - XX - 00 - 00 - XX - 0

BASIC PART #

SPECIFY PIN FINISH:

- 01 200µ" TIN/LEAD OVER NICKEL
- ◇ 80 200µ" TIN OVER NICKEL (RoHS)
- ◇ 15 10µ" GOLD OVER NICKEL (RoHS)
- ◇ 21 20µ" GOLD OVER NICKEL (RoHS)
- ◇ 34 50µ" GOLD OVER NICKEL (RoHS)