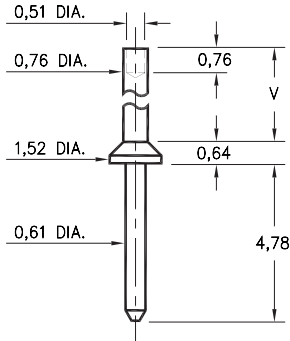


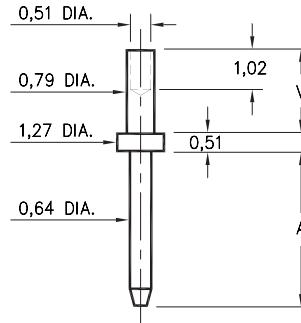
3117



Basic Part Number	Board Thickness	Length V
3117-1	0,79	1,19
3117-2	1,57	1,98
3117-3	2,39	2,79
3117-4	3,18	3,58

3117-X-00-XX-00-00-08-0
Swage mount in 0,89 hole

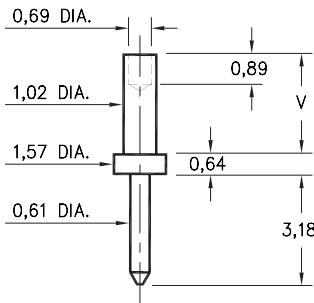
3114/3115



Basic Part Number	Board Thickness	Length A	Length V
3114-1	0,79	3,81	1,30
3114-2	1,57	3,81	2,08
3115-1	0,79	7,62	1,30
3115-2	1,57	7,62	2,08

311X-X-00-XX-00-00-08-0
Swage mount in 0,89 mounting hole

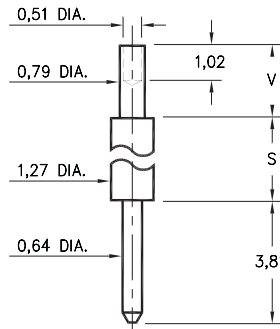
3112



Basic Part Number	Board Thickness	Length V
3112-1	0,79	1,30
3112-2	1,57	2,08
3112-3	2,39	2,87

3112-X-00-XX-00-00-08-0
Swage mount in 1,09 hole

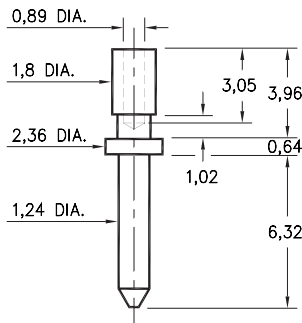
3118/3119



Basic Part Number	Board Thickness	Length S	Length V
3118-1	0,79	4,32	1,30
3118-2	1,57	4,32	2,08
3119-1	0,79	10,67	1,30
3119-2	1,57	10,67	2,08

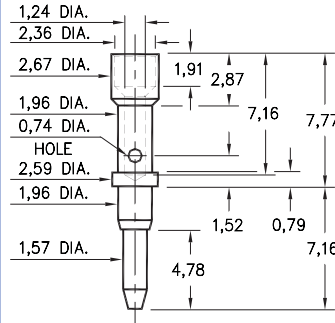
311X-X-00-XX-00-00-08-0
Swage mount in 0,89 hole

3139



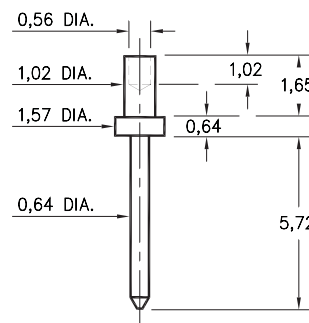
3139-0-00-XX-00-00-08-0
Wire Termination

3602



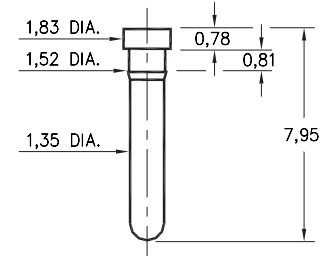
3602-0-07-XX-00-00-08-0
Annealed
#20 Crimp barrel

3131



3131-1-00-XX-00-00-08-0
Swage mount in 1,09 hole

0912



0912-0-00-XX-00-00-03-0
Press-fit in 1,45 mounting hole

SPECIFICATIONS

PIN MATERIAL:
Brass Alloy 360, 1/2 Hard
(Except Swage pins which are annealed)

DIMENSION IN INCHES
TOLERANCES ON:
LENGTHS: ±0,13
DIAMETERS: ±0,05
ANGLES: ± 2°

ORDER CODE: XXXX - X - 0X - XX - 00 - 00 - XX - 0

BASIC PART #

SPECIFY PIN FINISH:

- 01 5,08µm TIN/LEAD OVER NICKEL
- ◇ 80 5,08µm TIN OVER NICKEL (RoHS)
- ◇ 15 0,25µm GOLD OVER NICKEL (RoHS)
- ◇ 21 0,51µm GOLD OVER NICKEL (RoHS)
- ◇ 34 1,27µm GOLD OVER NICKEL (RoHS)

